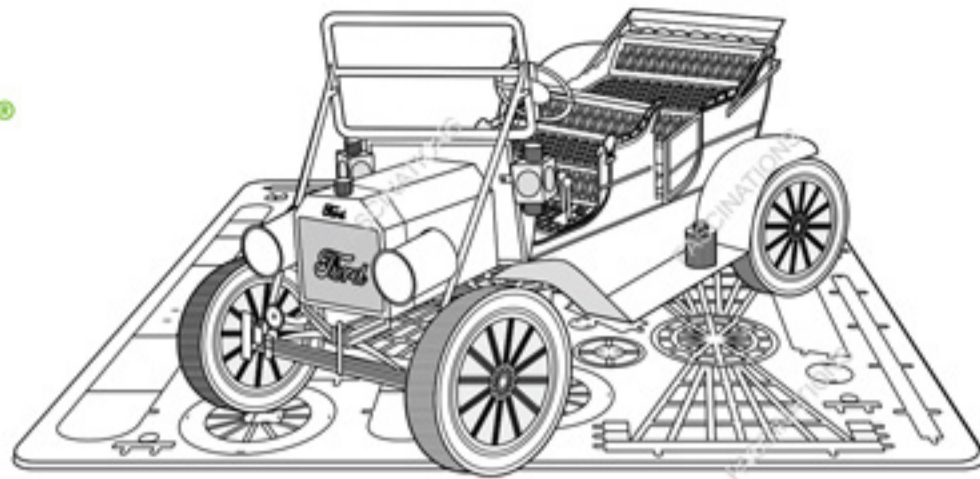


Metal Earth

3D METAL MODEL KITS



1908 Ford Model T, Dark Green

Item No. MMS051G



It is highly recommended that you visit www.metalearth.com/360/mms051g to see the completed model before assembling your own

Insertion tabs are inserted and then folded

Insertion holes

Fold lines can be seen as shown here

Legends:

- E Engraved /Color side
- NE Non-engraved /Silver side
- Attention point
- Insert tab and bend 90 degrees
- ▲ Insert tab and twist 90 degrees

Assembly tip:
If needed, slightly twist tabs to hold parts together then untwist and bend them down for a nice finish

Recommended tools:

- Wire cutters: helpful for taking parts from the metal sheets.
- Tweezers or needle nose pliers: helpful for folding parts, bending and twisting tabs.

Metal sheets

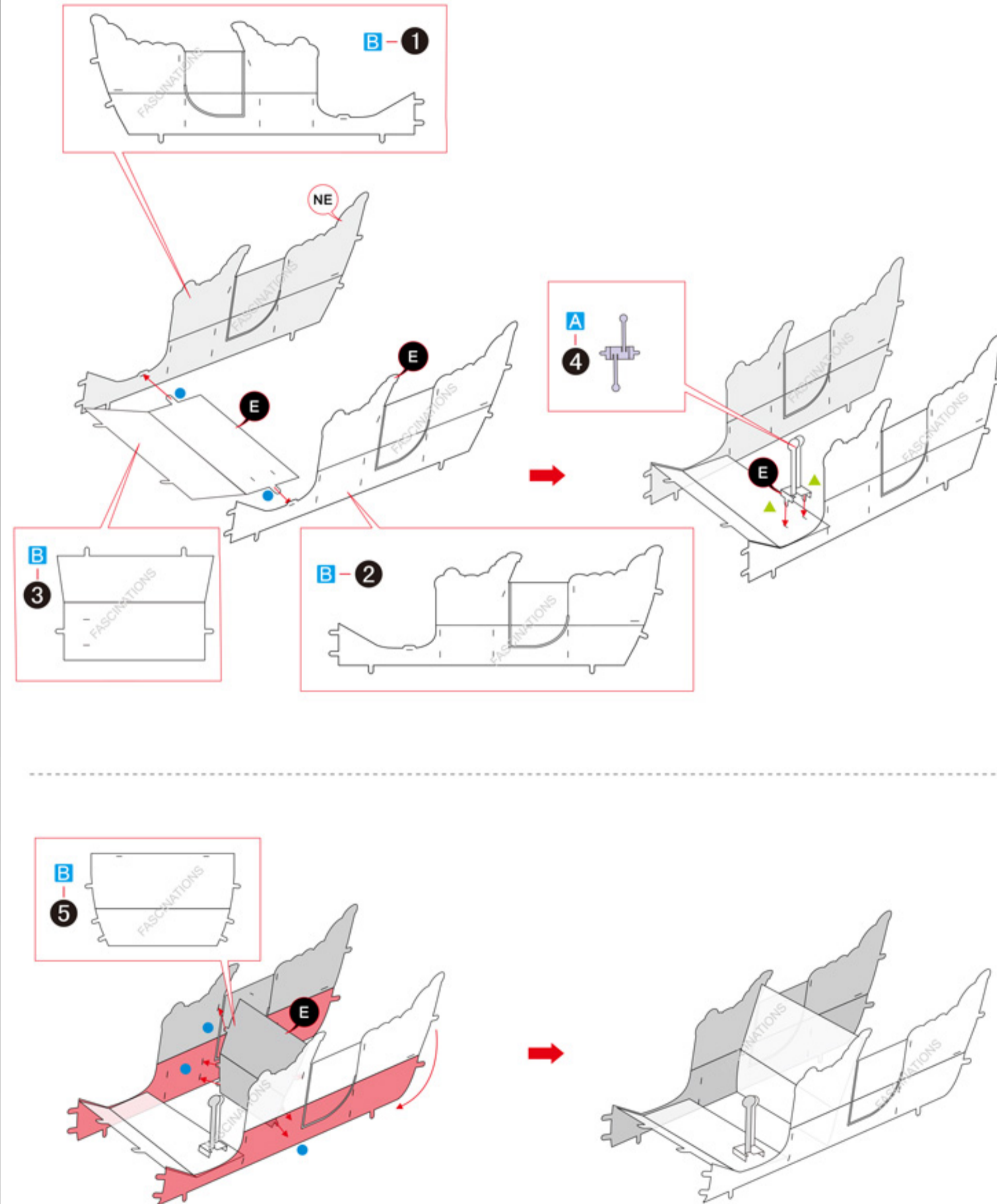
A

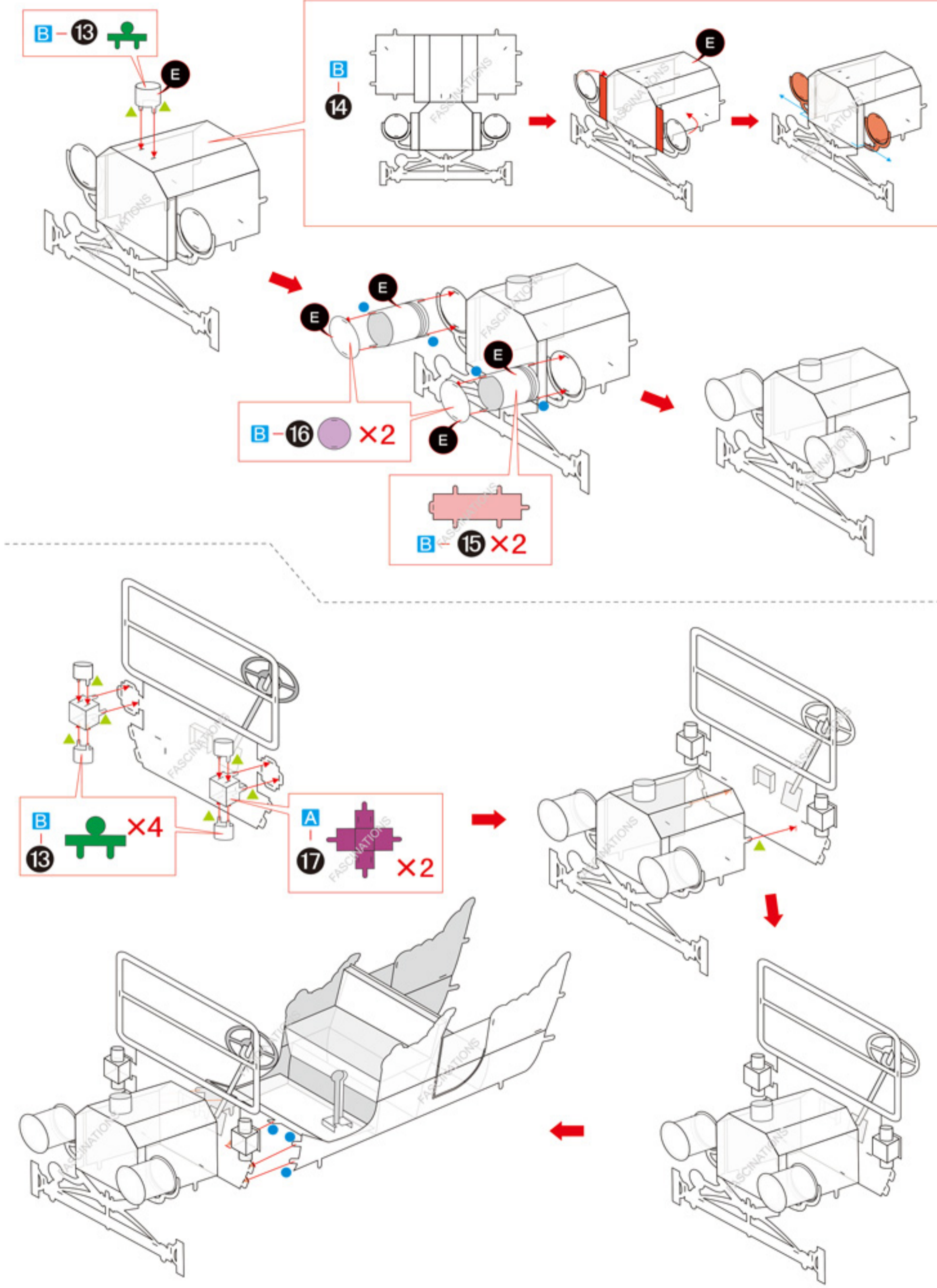
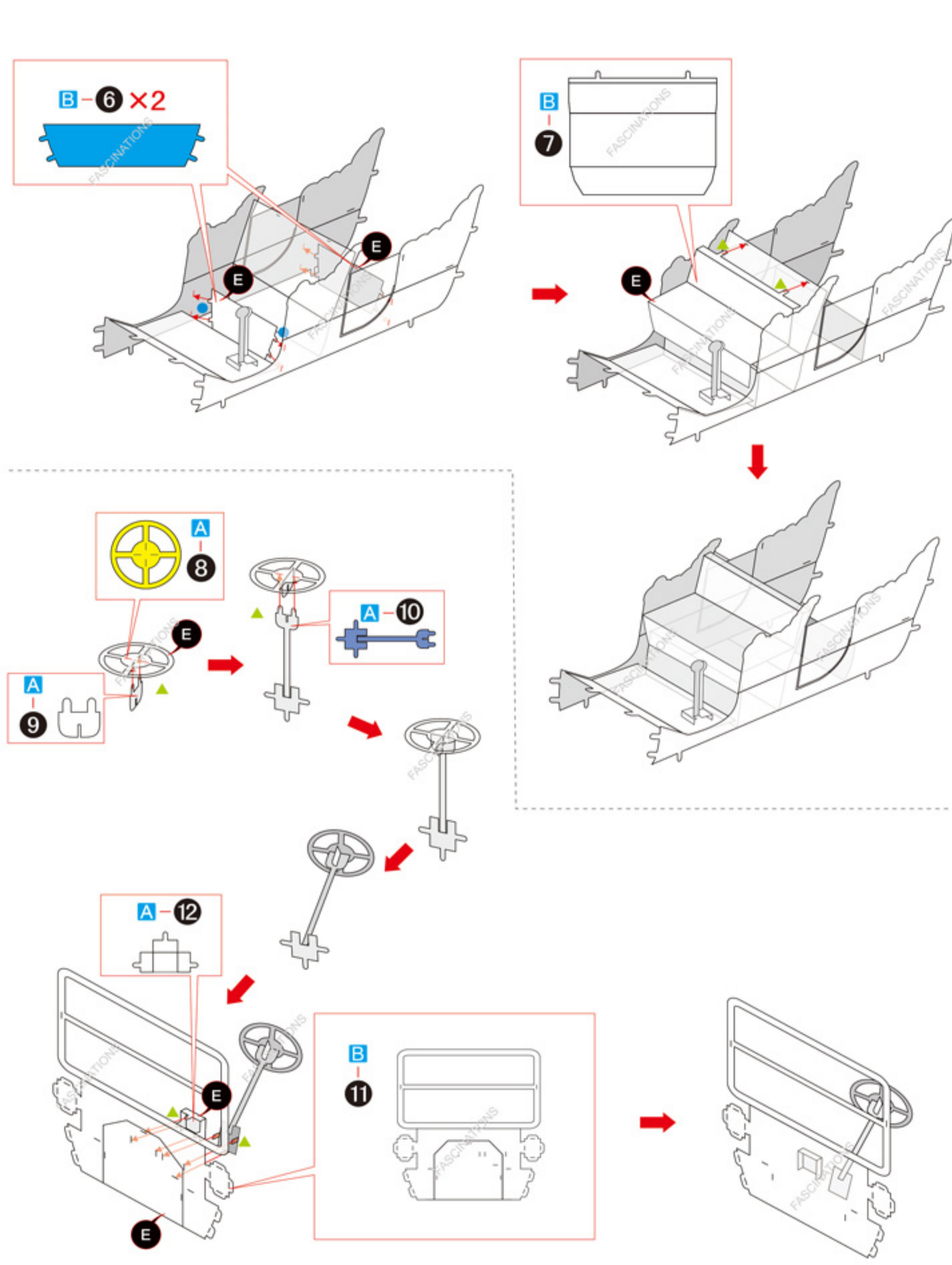
B

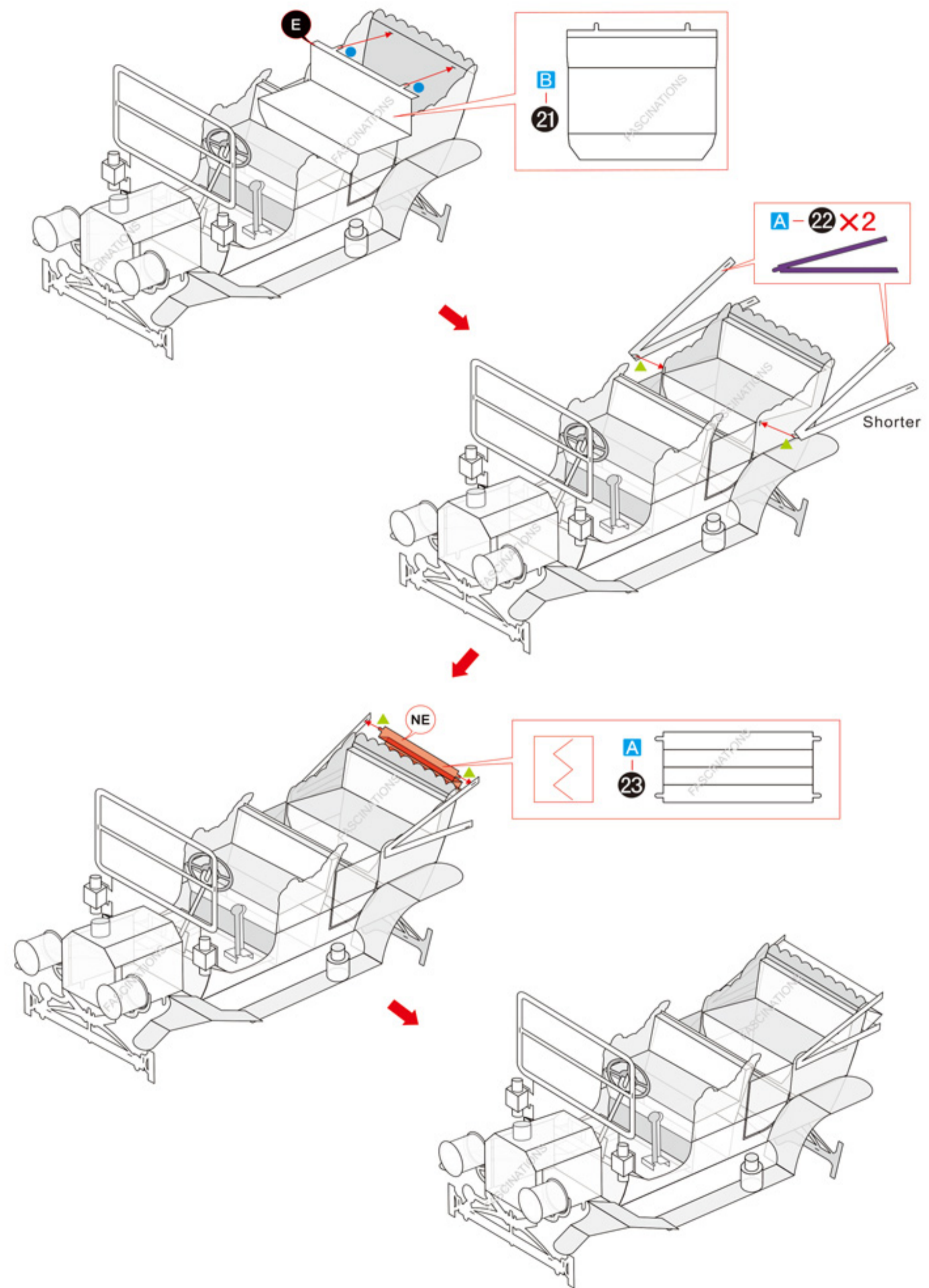
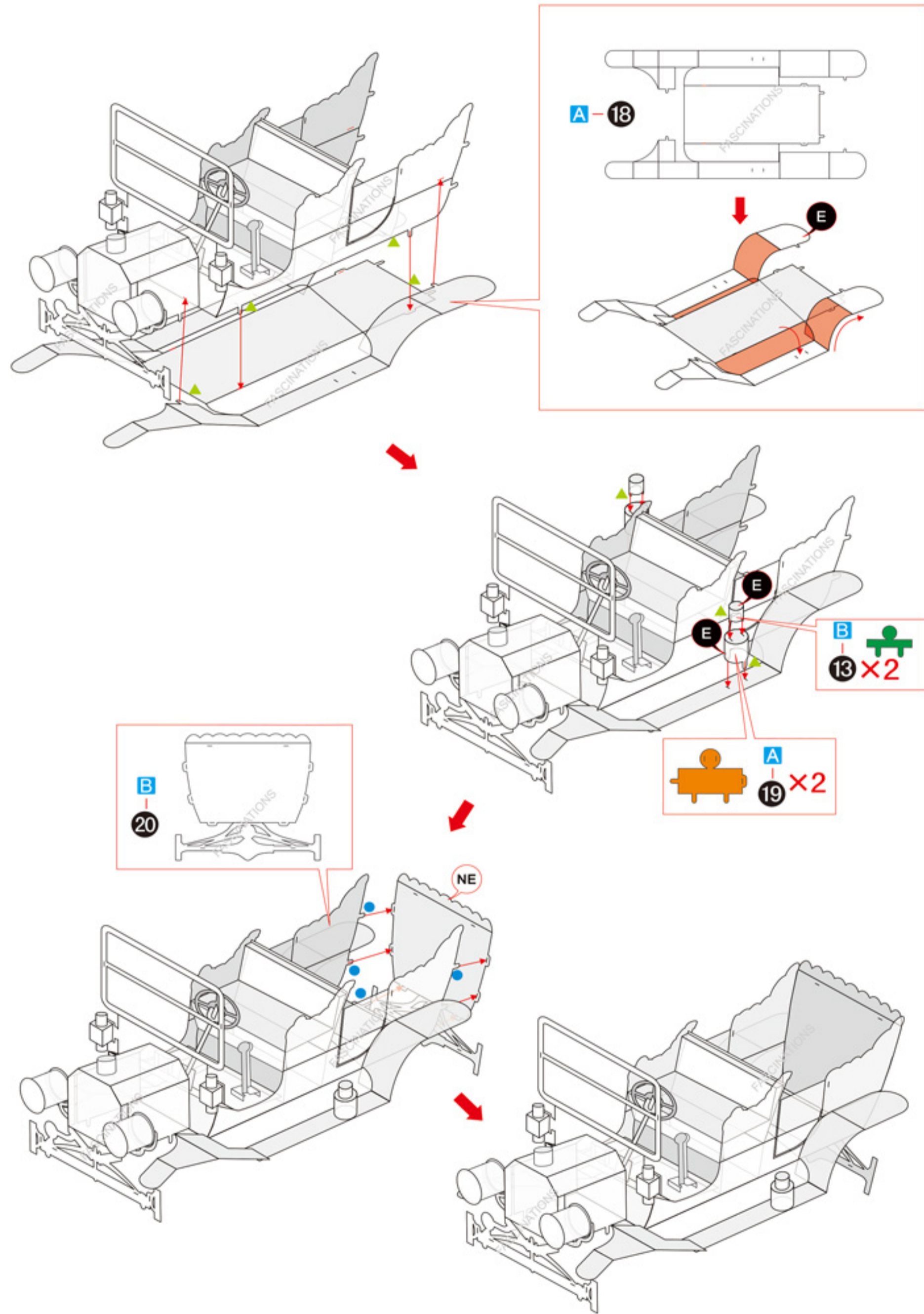
Parts that are in the same color are duplicates

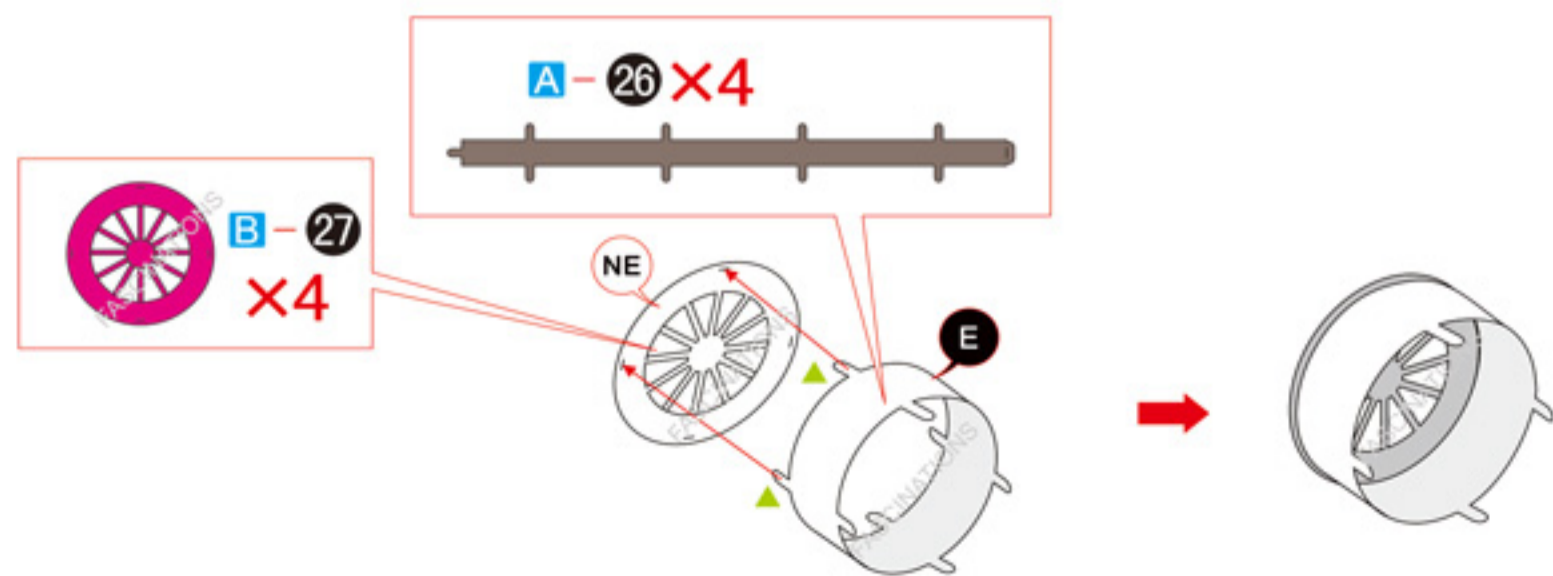
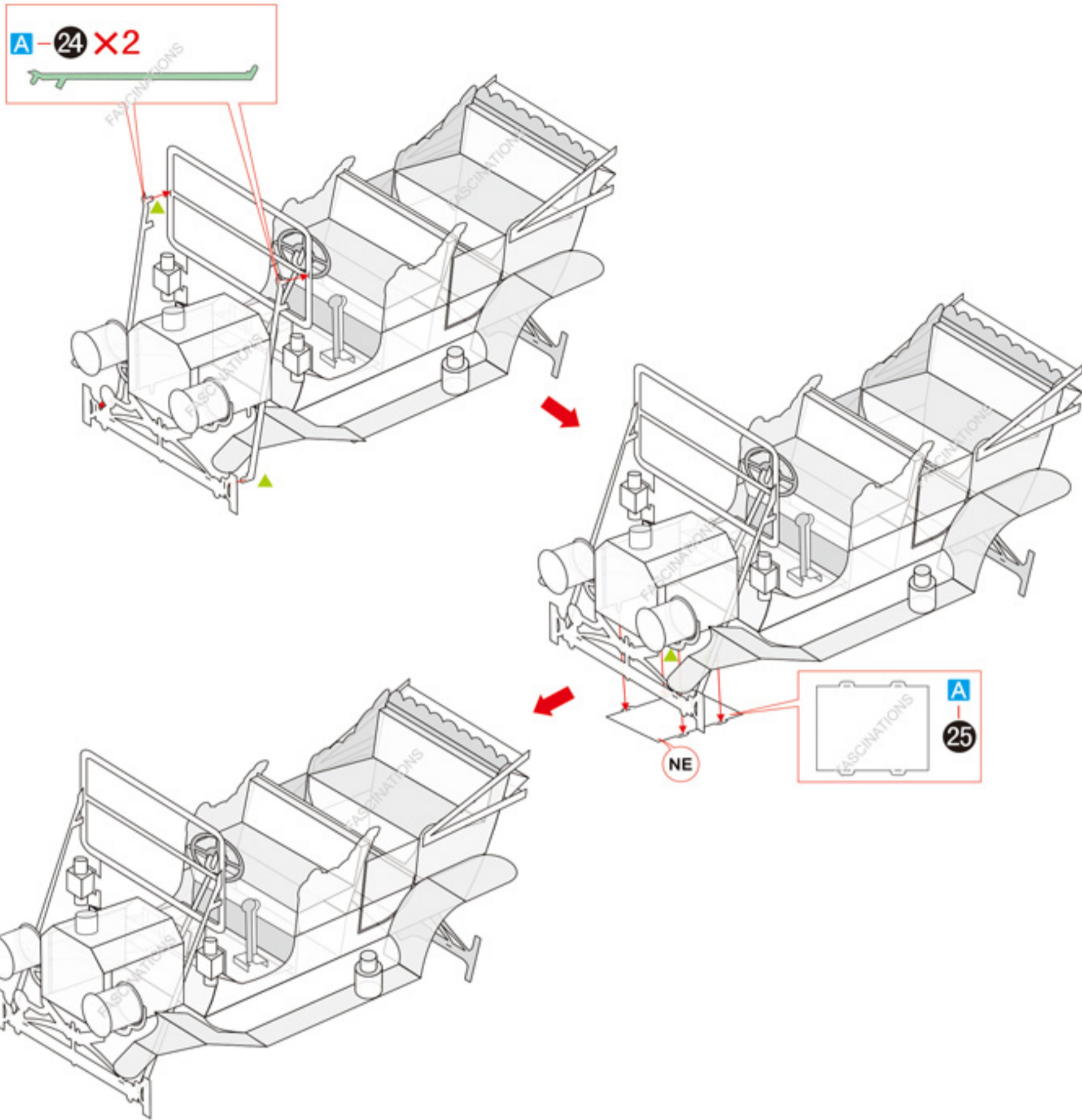
In order to avoid possible injury from sharp edges, please carefully discard the metal sheets after parts have been removed

Assembly Flow Chart









Note: Connect the inner wheels (part #29) to the chassis (part#28) before connecting the outer wheels to the inner wheels.

