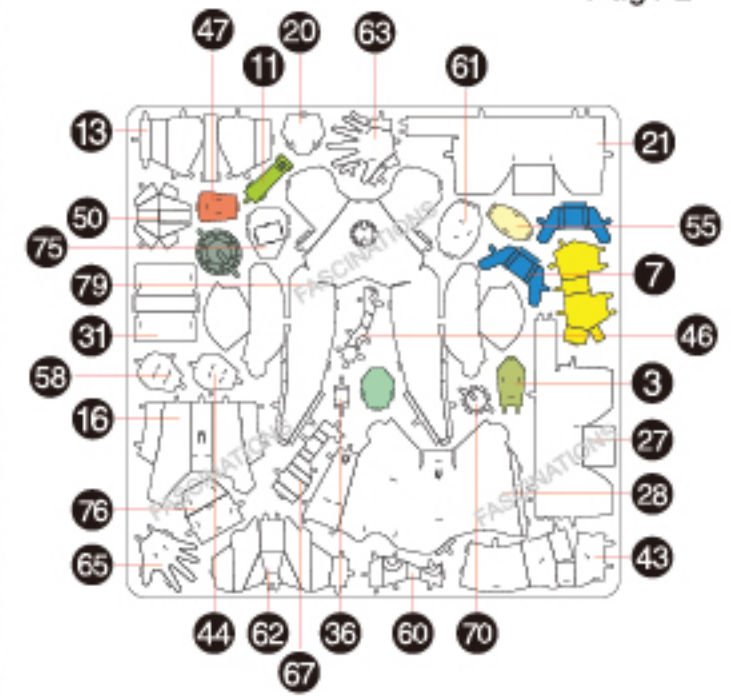
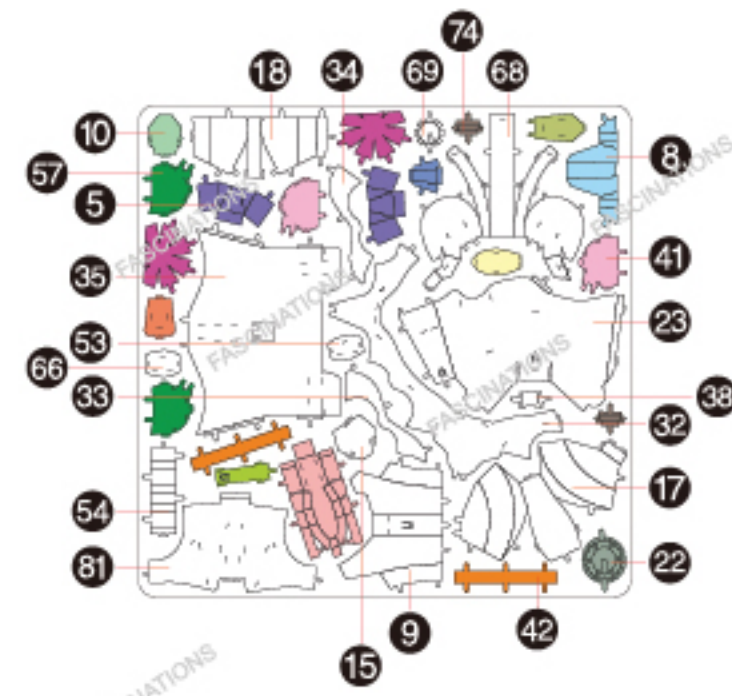




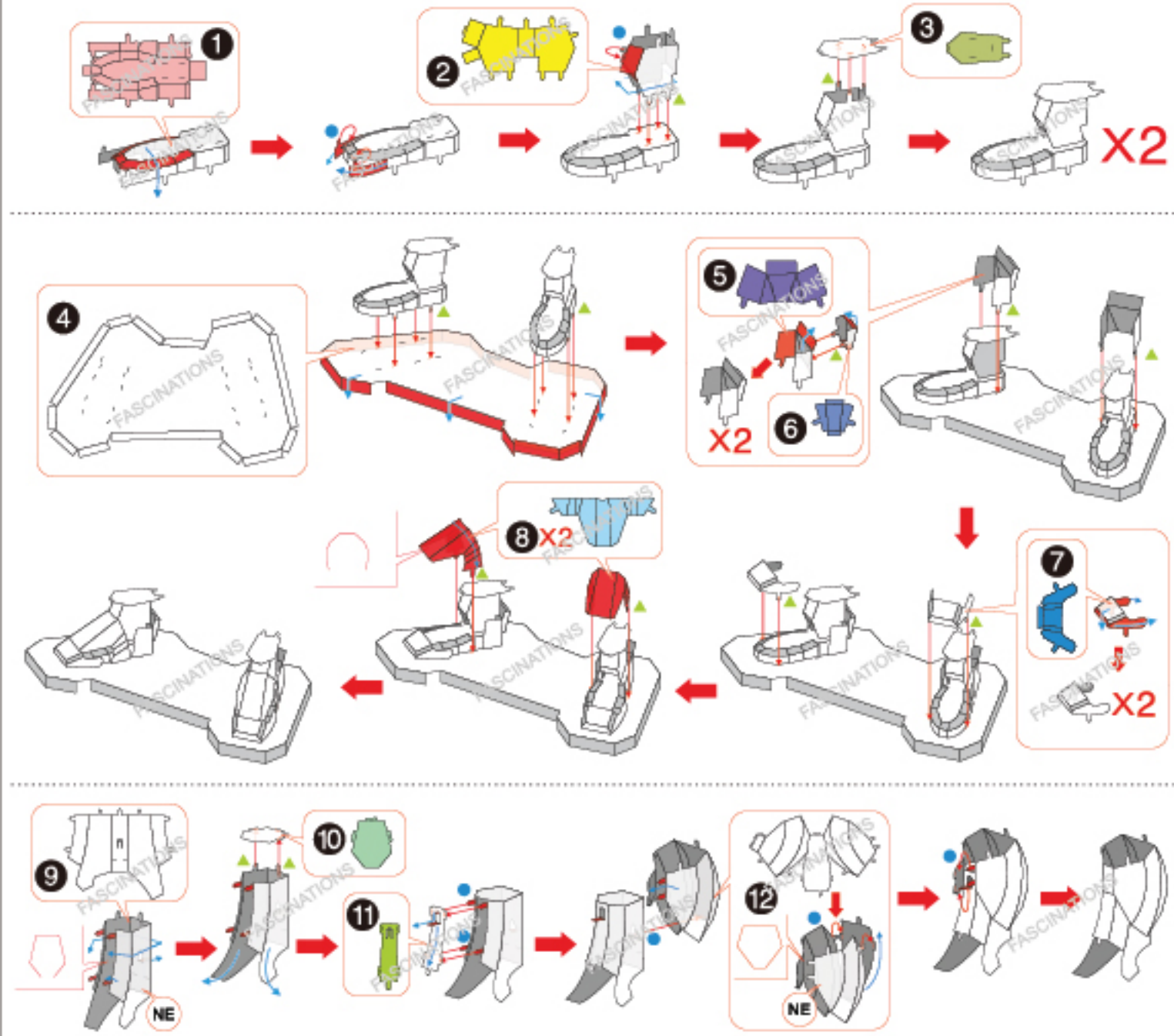
Iron Man (Mark IV)  
Item No. MMS322



It is highly recommended that you visit [www.metalearth.com/360/mms322](http://www.metalearth.com/360/mms322) to see the completed model before assembling your own



## Assembly Flow Chart



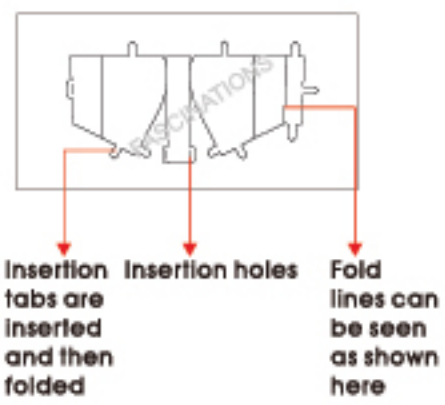
**Legends:**

- E** Engraved side
- NE** Non-engraved side
- Hand icon** Attention point
- Blue circle** Insert tab and bend 90 degrees
- Green triangle** Insert tab and twist 90 degrees

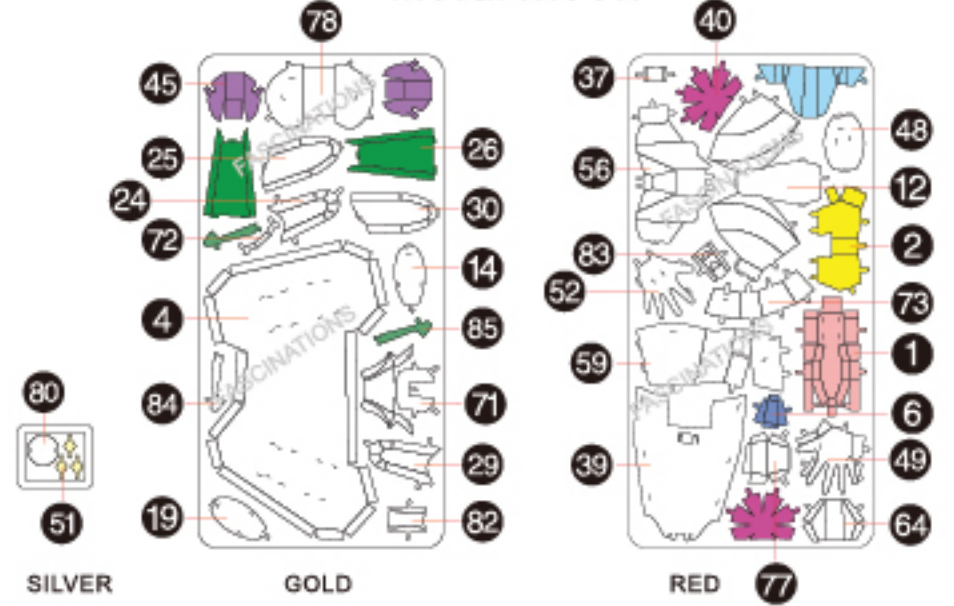
**Recommended tools:**

- Wire cutters: helpful for taking parts from the metal sheets.
- Tweezers or needle nose pliers: helpful for folding parts, bending and twisting tabs.

**Assembly tip:**  
If needed, slightly twist tabs to hold parts together then untwist and bend them down for a nice finish



## Metal sheets



**!** In order to avoid possible injury from sharp edges, please carefully discard the metal sheet after parts have been removed

