

USS Enterprise NCC-1701-D  
Item No. MMS281



It is highly recommended that you visit [www.metalearth.com/360/mms281](http://www.metalearth.com/360/mms281) to see the completed model before assembling your own

**Legends:**

- Engraved side
- Non-engraved side
- Attention point
- Insert tab and bend 90 degrees
- Insert tab and twist 90 degrees

**Recommended tools:**

-Wire cutters: helpful for taking parts from the metal sheets.



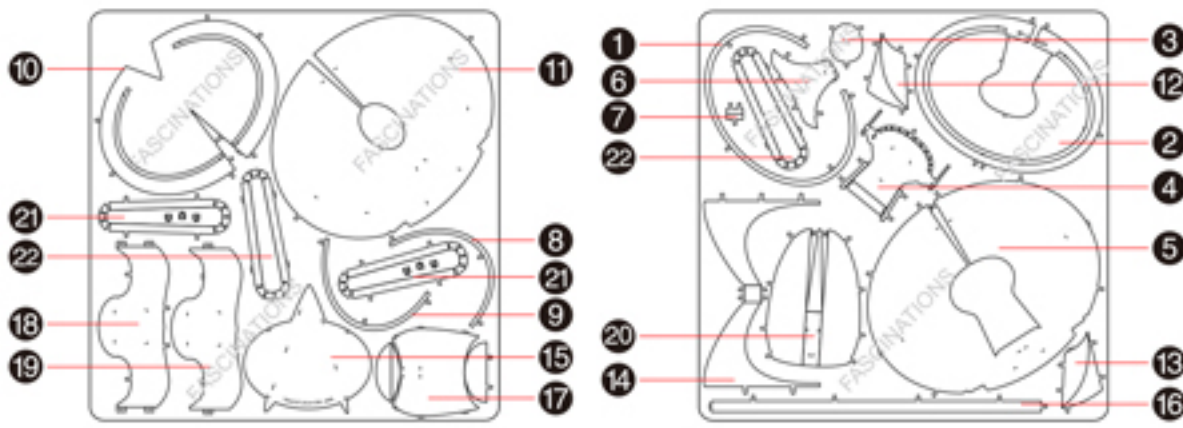
-Tweezers or needle nose pliers: helpful for folding parts, bending and twisting tabs.



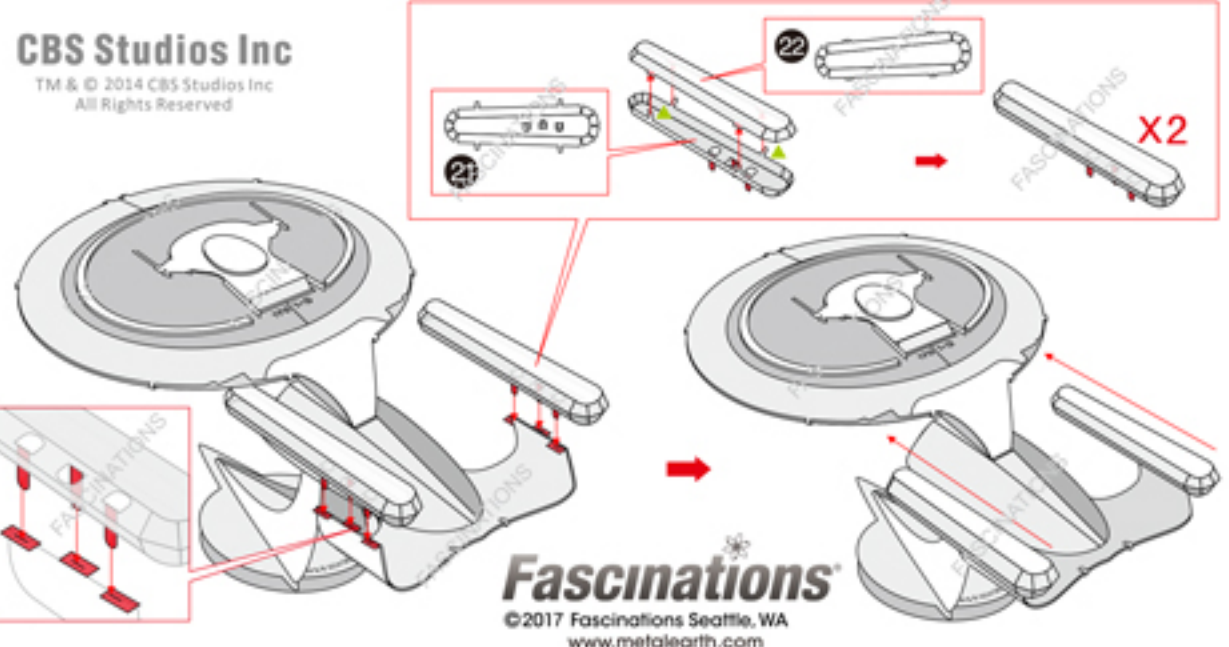
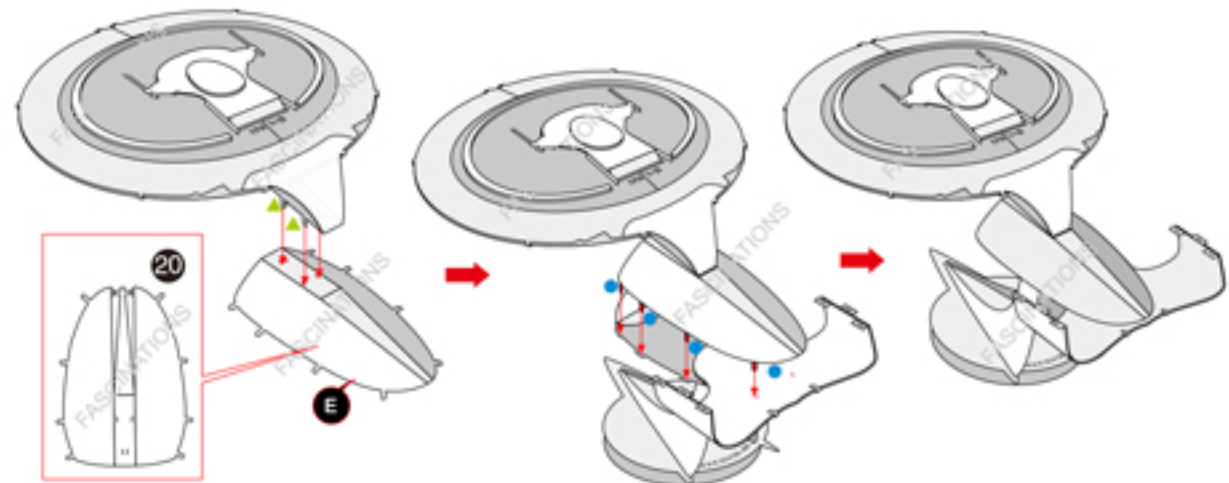
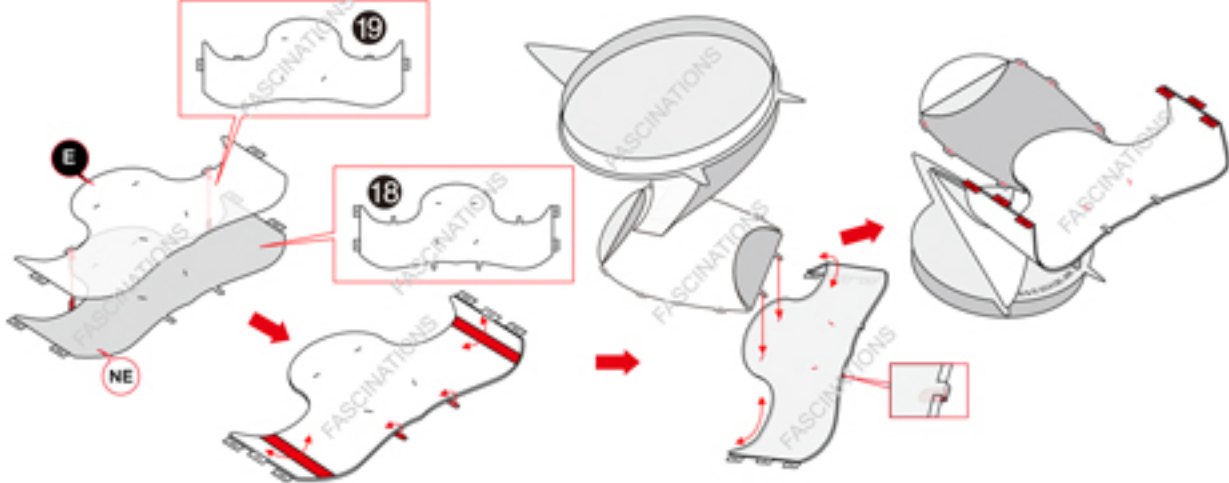
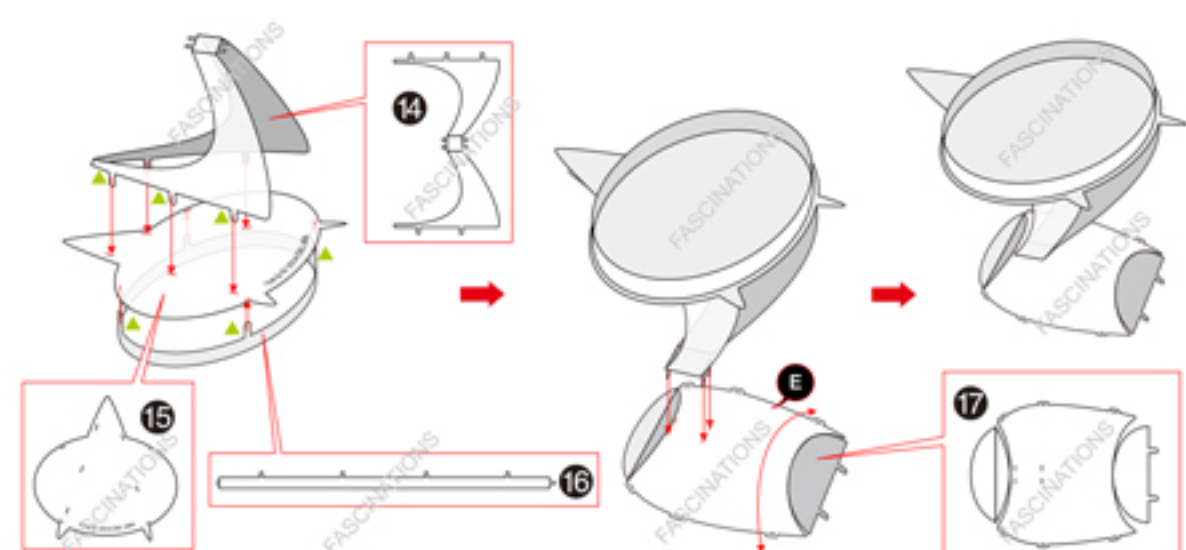
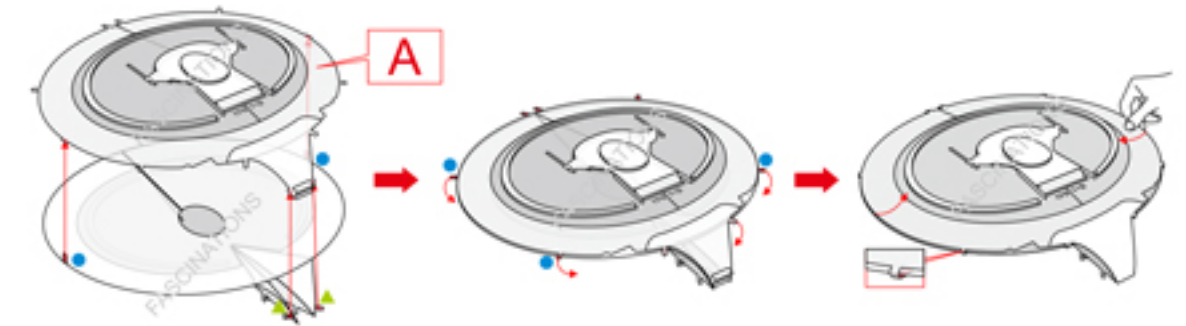
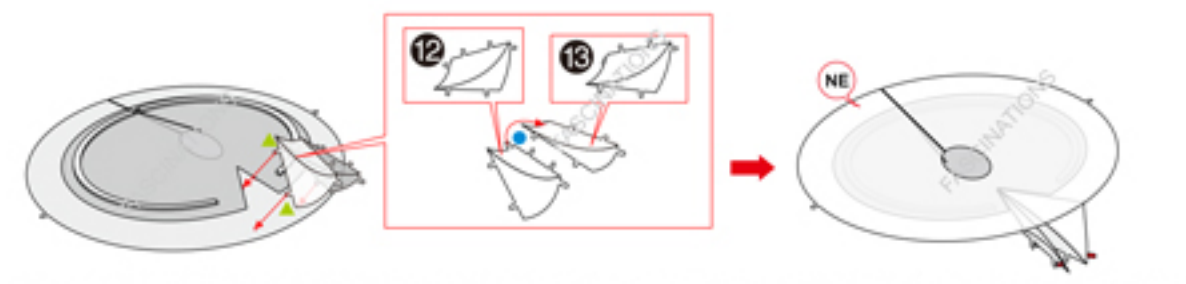
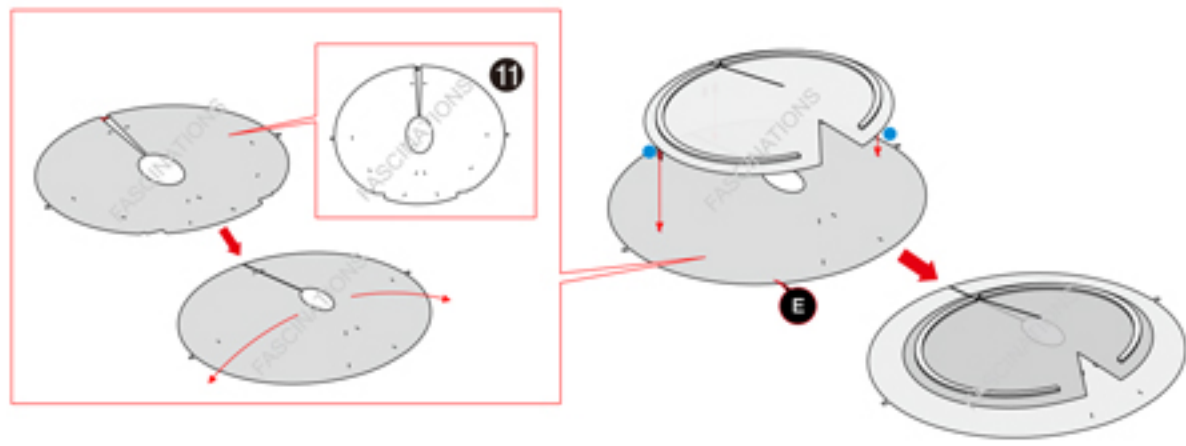
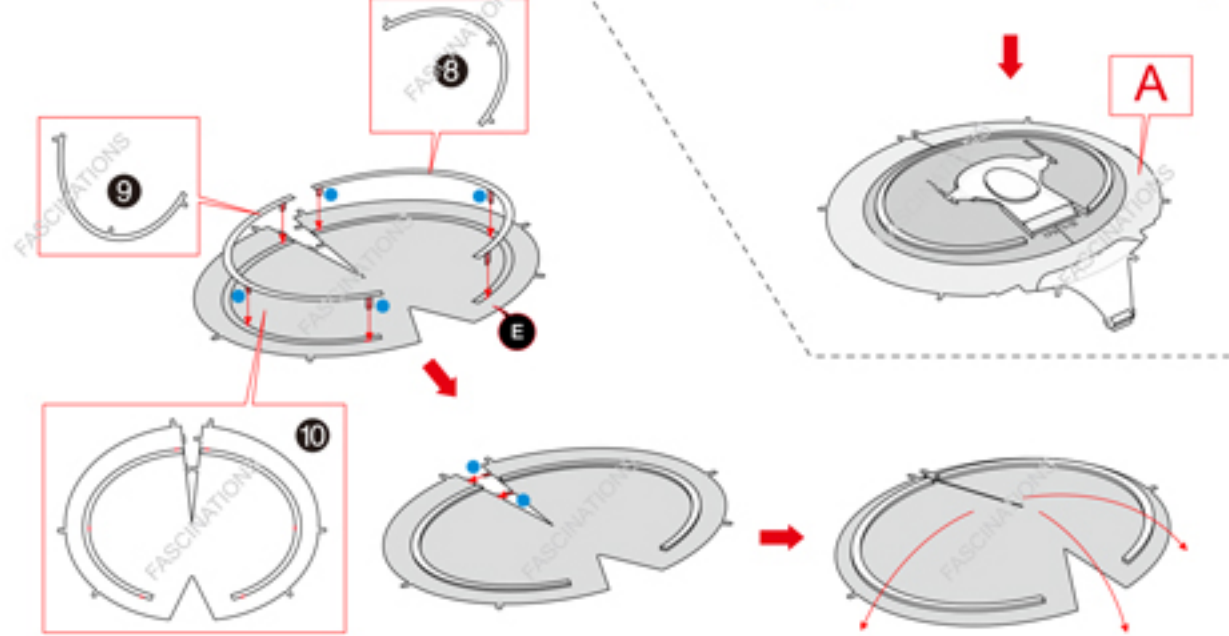
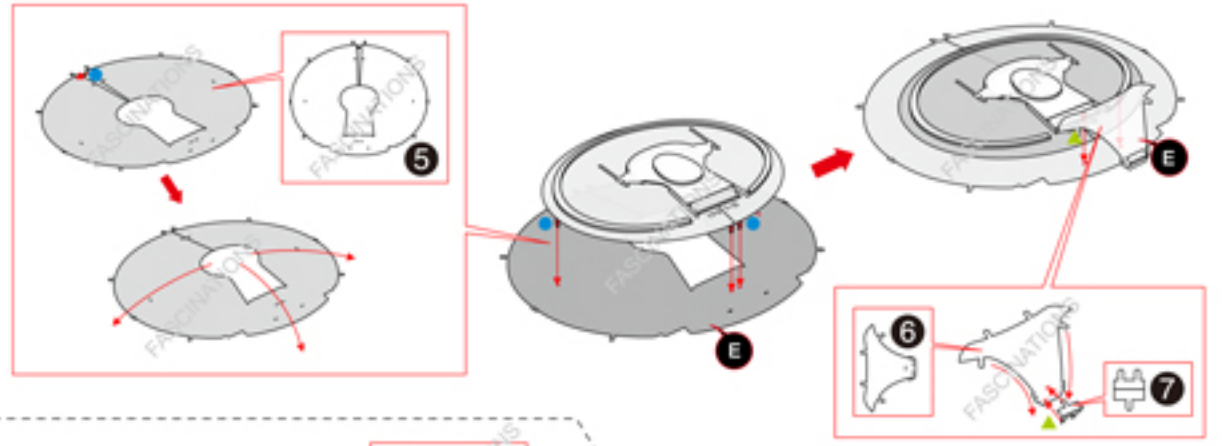
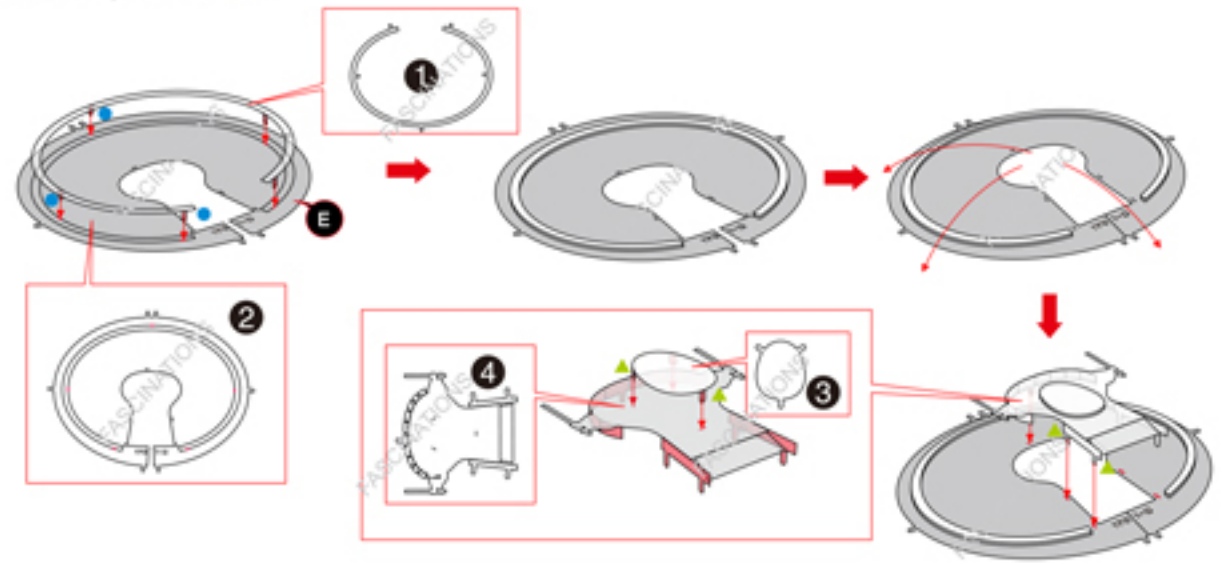
**Assembly tip:**

If needed, slightly twist tabs to hold parts together then untwist and bend them down for a nice finish

**Metal sheets**



In order to avoid possible injury from sharp edges, please carefully discard the metal sheets after parts have been removed



**CBS Studios Inc**  
TM & © 2014 CBS Studios Inc  
All Rights Reserved

**Fascinations**  
©2017 Fascinations Seattle, WA  
[www.metalearth.com](http://www.metalearth.com)