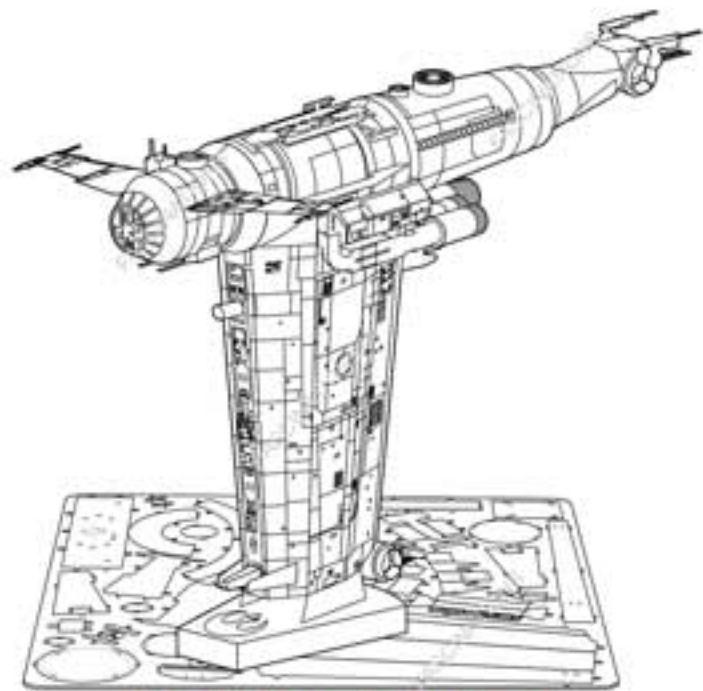




www.starwars.com  
© &™ Lucasfilm Ltd.



**Resistance Bomber™**  
Item No. MMS284

**Metal Earth.**

3D METAL MODEL KITS

360°  
view



It is highly recommended that you visit [www.metalearth.com/360/mms284](http://www.metalearth.com/360/mms284) to see the completed model before assembling your own

Insertion tabs are inserted and then folded

Fold lines can be seen as shown here

Insertion holes

**Legends:**

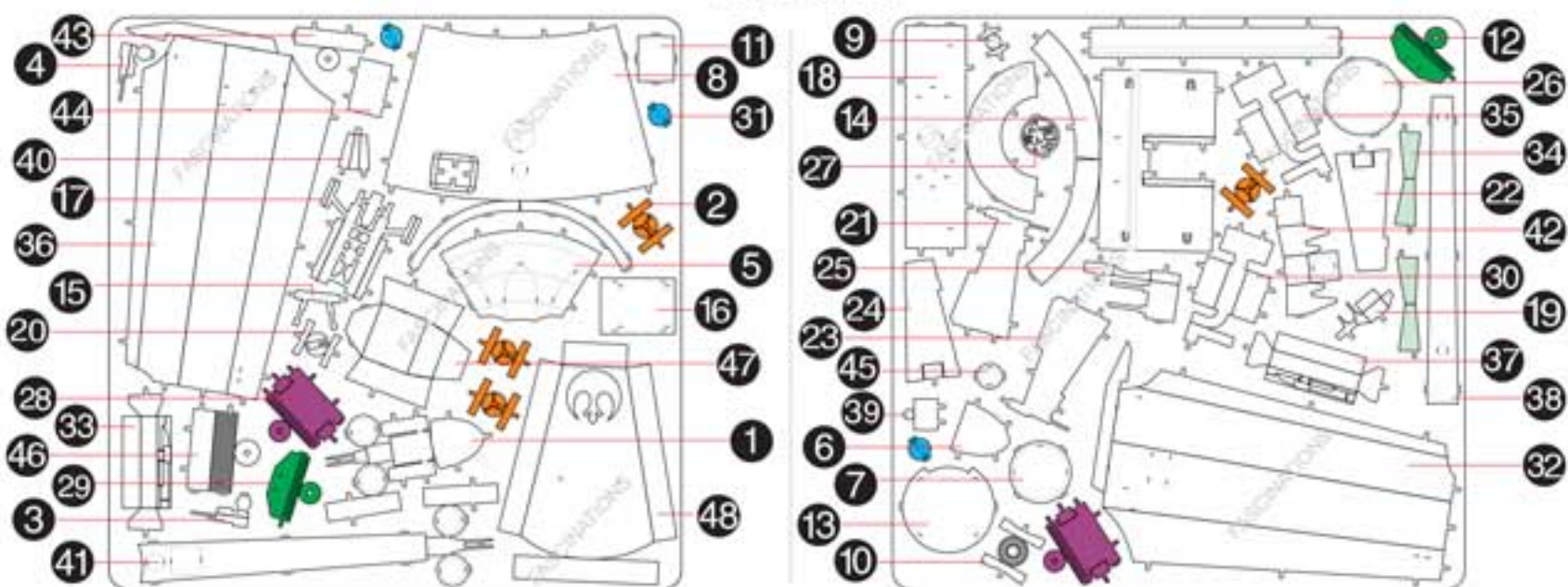
- E Engraved side
- NE Non-engraved side
- Attention point
- Insert tab and bend 90 degrees
- ▲ Insert tab and twist 90 degrees

**Assembly tip:**  
If needed, slightly twist tabs to hold parts together then untwist and bend them down for a nice finish

**Recommended tools:**

- Wire cutters: helpful for taking parts from the metal sheets.
- Tweezers or needle nose pliers: helpful for folding parts, bending and twisting tabs.

**Metal sheets**



In order to avoid possible injury from sharp edges, please carefully discard the metal sheet after parts have been removed

**Assembly Flow Chart**

