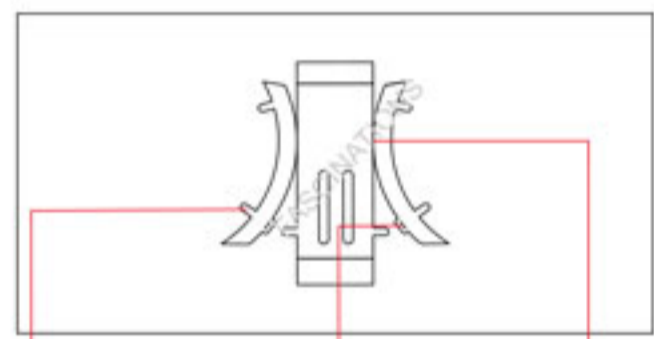


Elite Praetorian Guard Helmet™
Item No. MMS317



It is highly recommended that you visit www.metalearth.com/360/mms317 to see the completed model before assembling your own



Insertion tabs are inserted and then folded
Insertion holes
Fold lines can be seen as shown here

Legends:

- E** Engraved side
- NE** Non-engraved side
- P** Painted side
- Attention point
- Insert tab and twist 90 degrees

Assembly tip:

If needed, slightly twist tabs to hold parts together then untwist and bend them down for a nice finish

Recommended tools:

-Wire cutters: helpful for taking parts from the metal sheets.



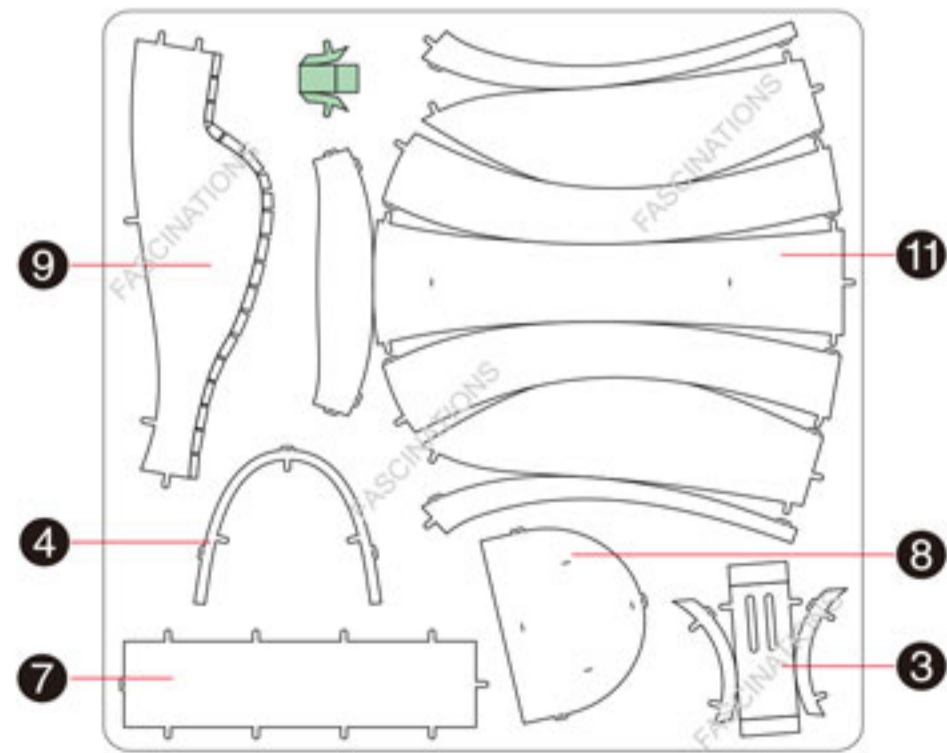
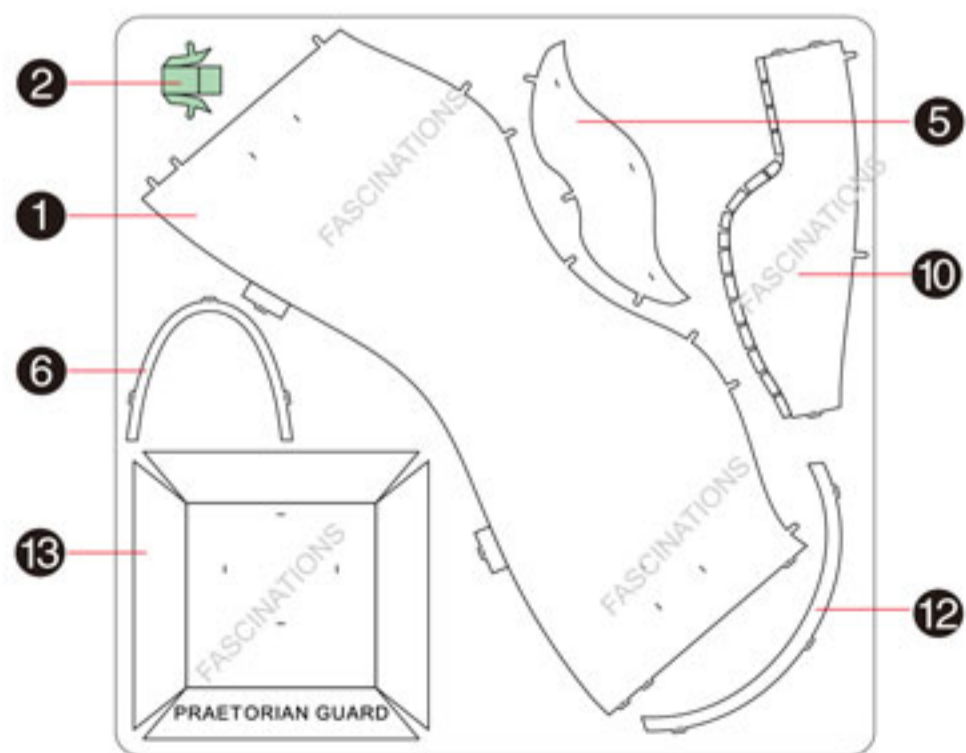
-Tweezers or needle nose pliers: helpful for folding parts, bending and twisting tabs.



A

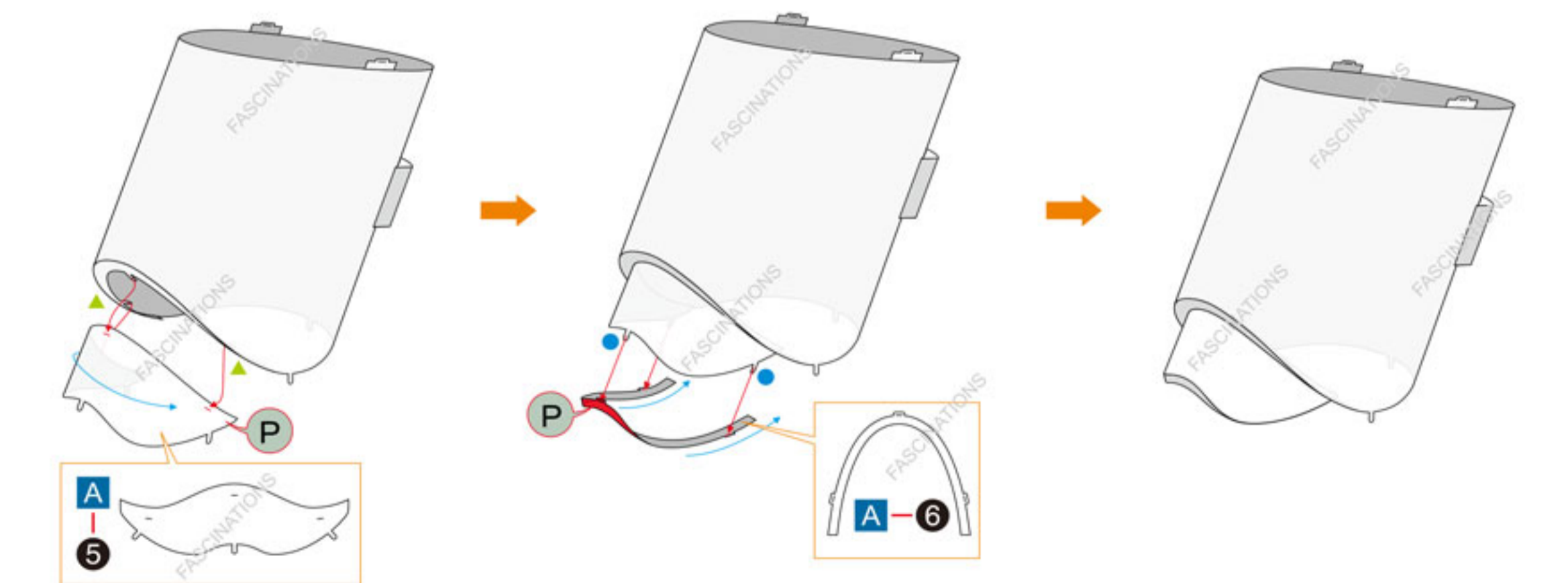
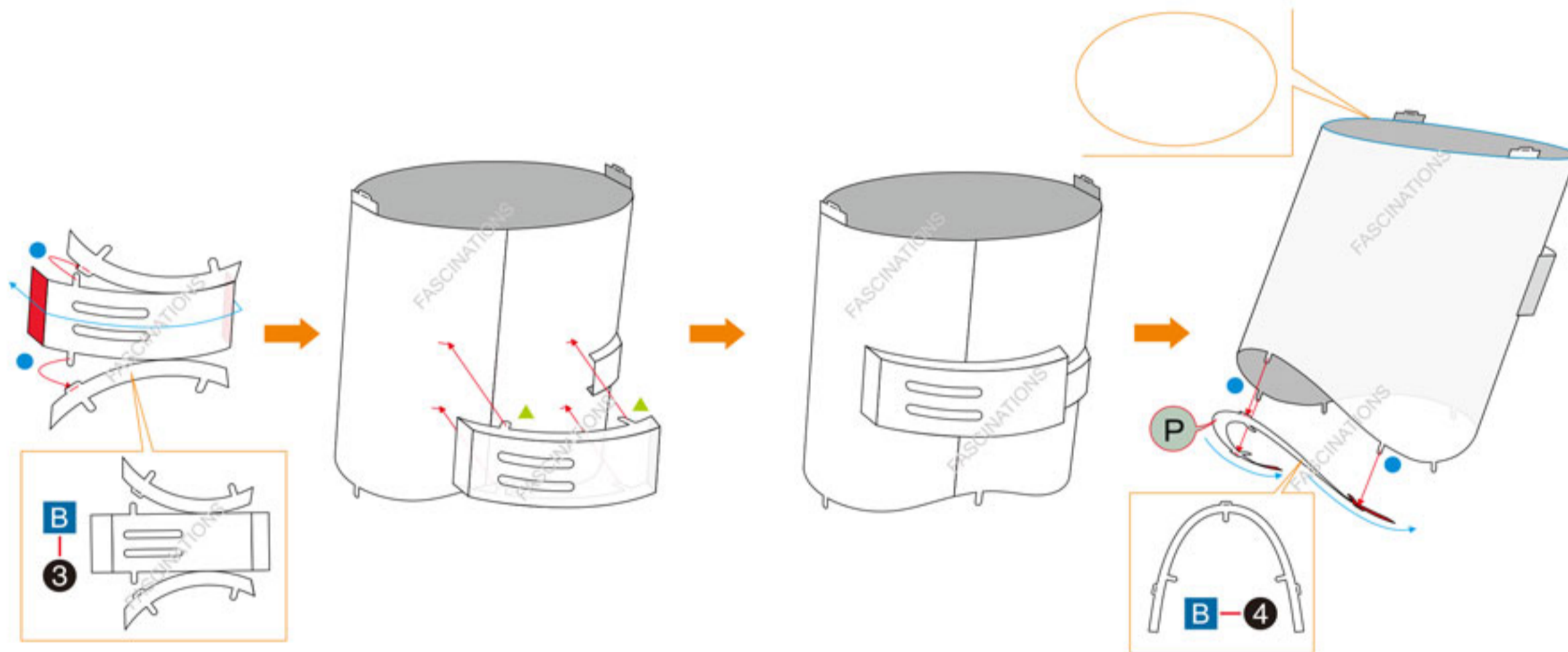
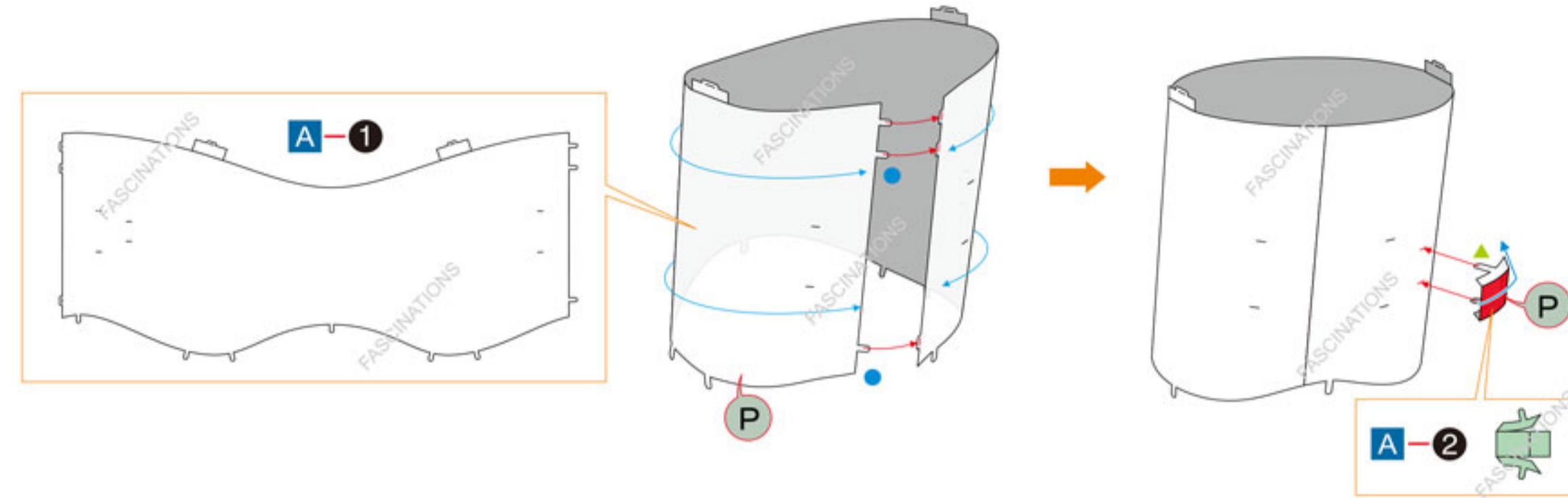
Metal sheets

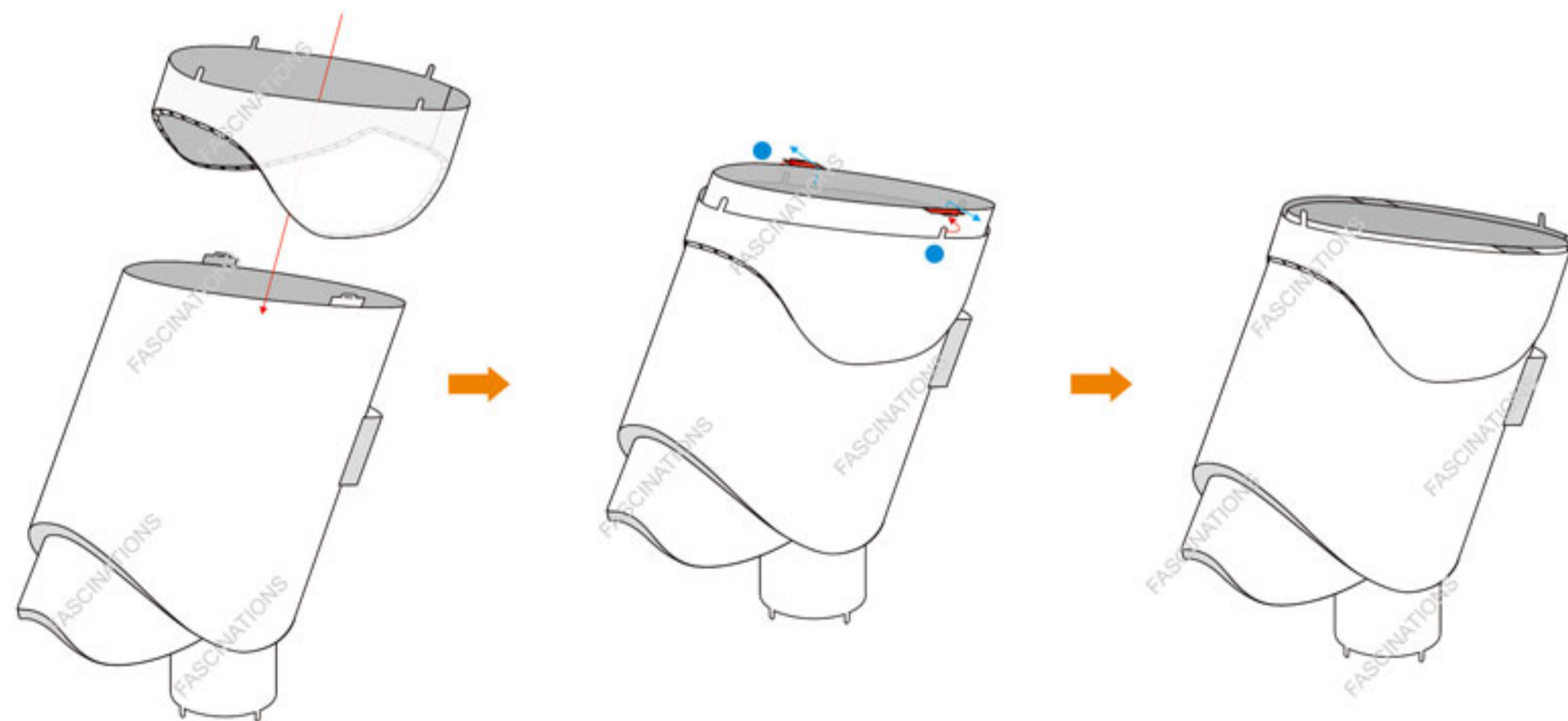
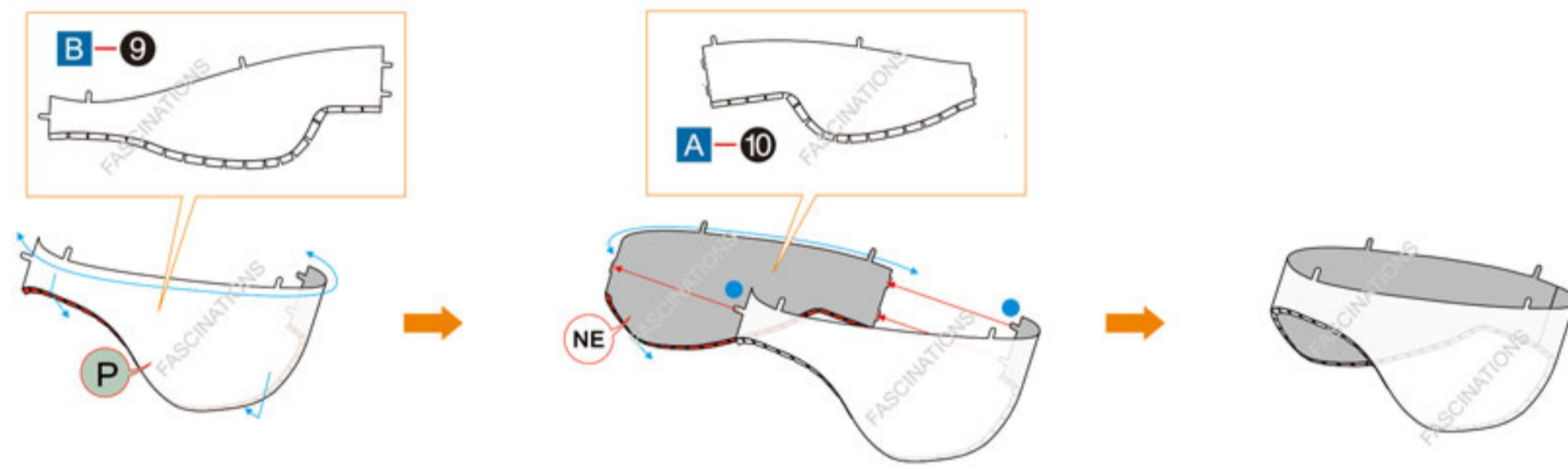
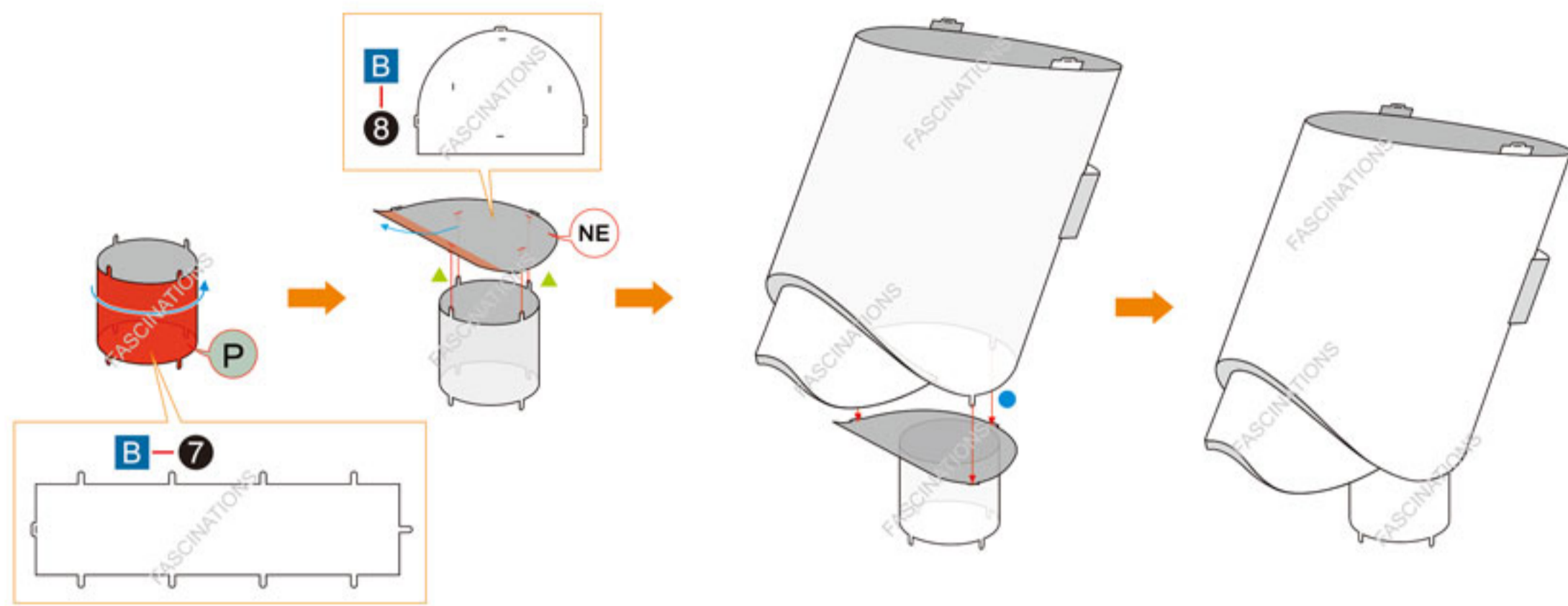
B



In order to avoid possible injury from sharp edges, please carefully discard the metal sheets after parts have been removed

Assembly Flow Chart





TIP: use a pair of pliers to bend the tabs down 90 degrees and the holes down 45 degrees before connecting them.

