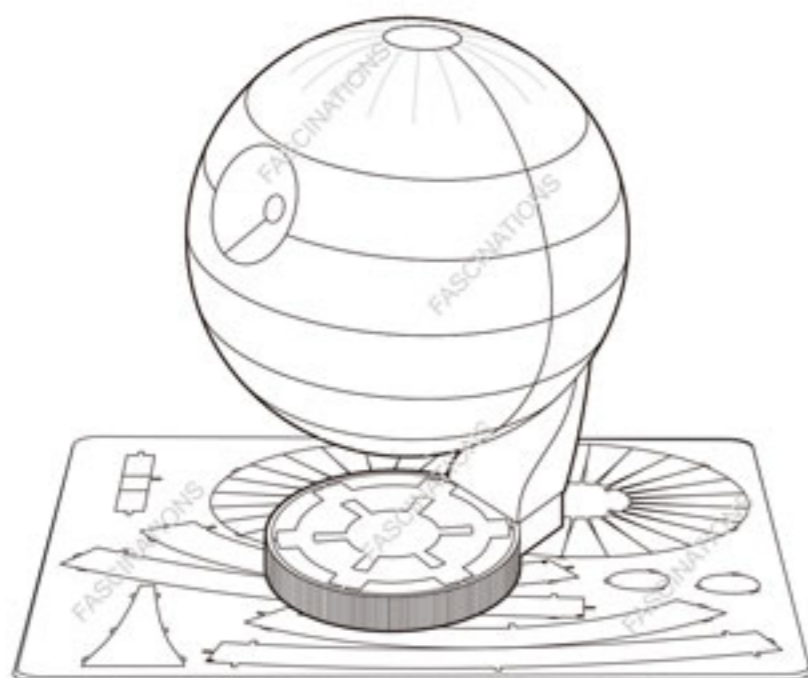




www.starwars.com  
© &™ Lucasfilm Ltd.

**Metal Earth.**

3D METAL MODEL KITS



**Death Star™**

Item No. MMS278

**360° view**



It is highly recommended that you visit [www.metalearth.com/360/mms278](http://www.metalearth.com/360/mms278) to see the completed model before assembling your own

**Legends:**

-  Engraved side
-  Non-engraved side
-  Attention point
-  Insert tab and bend 90 degrees
-  Insert tab and twist 90 degrees

**Assembly tip:**

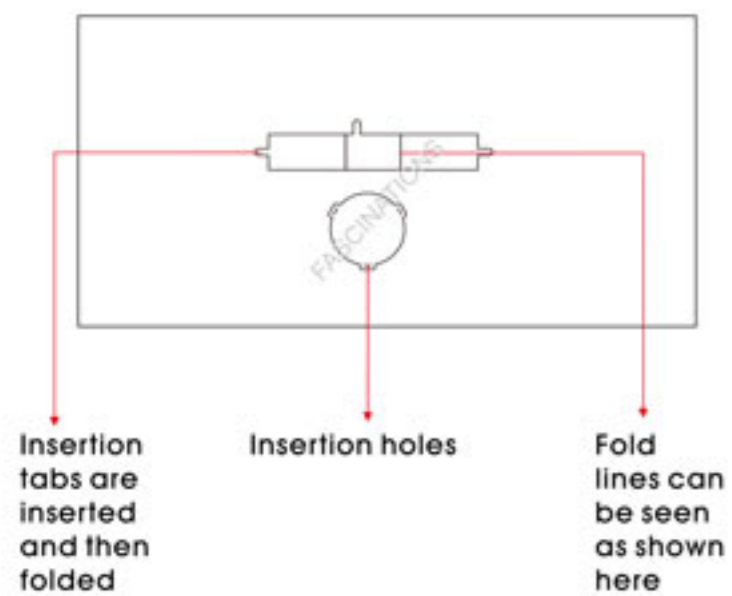
If needed, slightly twist tabs to hold parts together then untwist and bend them down for a nice finish

**Recommended tools:**

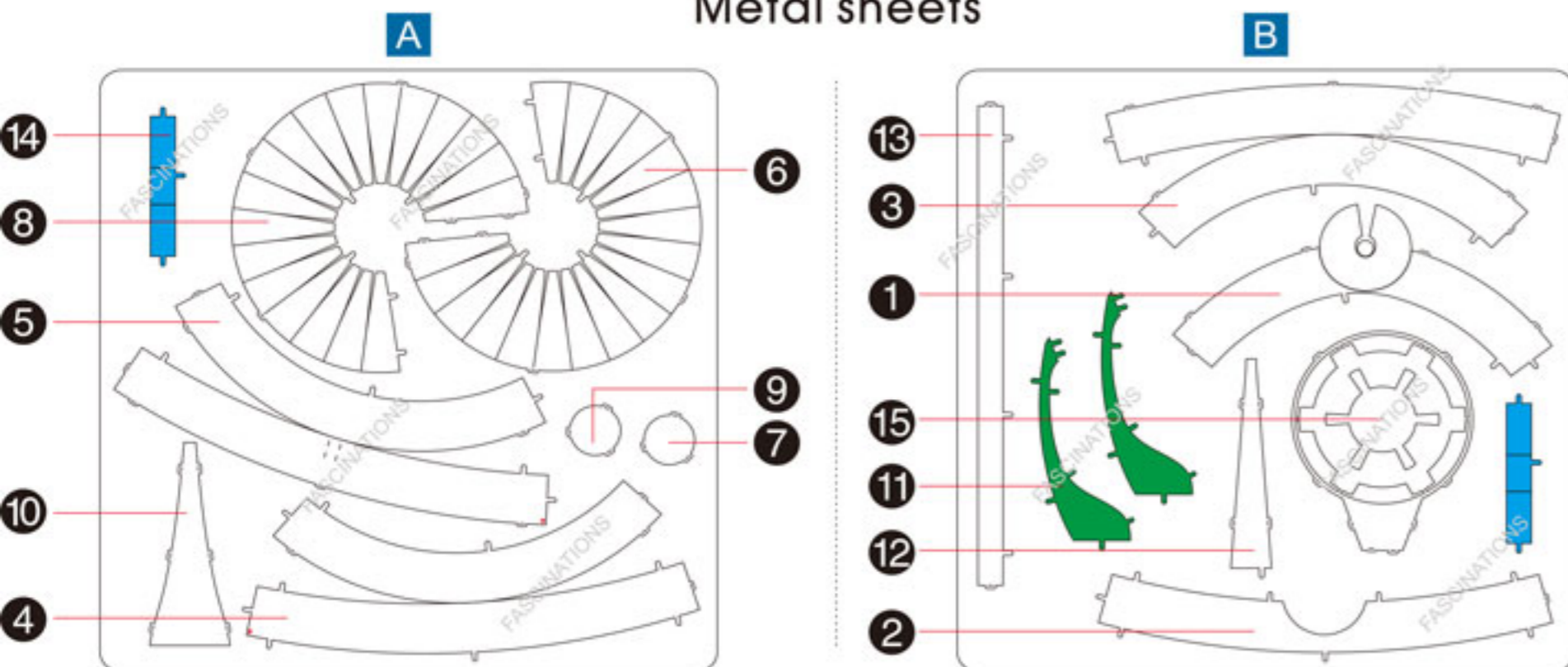
-Wire cutters: helpful for taking parts from the metal sheets.



-Tweezers or needle nose pliers: helpful for folding parts, bending and twisting tabs.



**Metal sheets**



In order to avoid possible injury from sharp edges, please carefully discard the metal sheets after parts have been removed

**Assembly Flow Chart**

