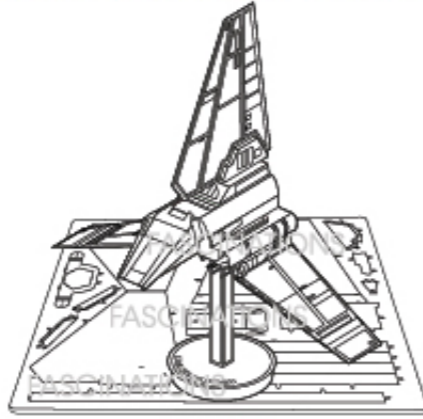


METAL EARTH™

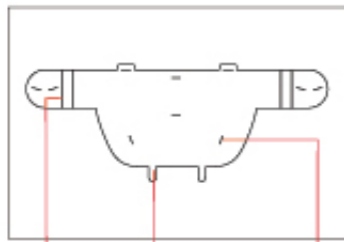
3D LASER CUT MODELS



It is highly recommended that you visit www.fascinations.com/metalearth360/mms259 to see the completed model before assembling your own



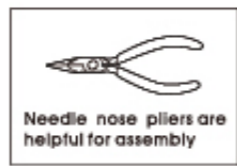
mms259



Fold lines can be seen as shown here

Insertion tabs are inserted and then folded

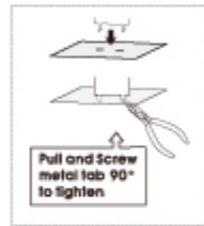
Insertion holes



Needle nose pliers are helpful for assembly

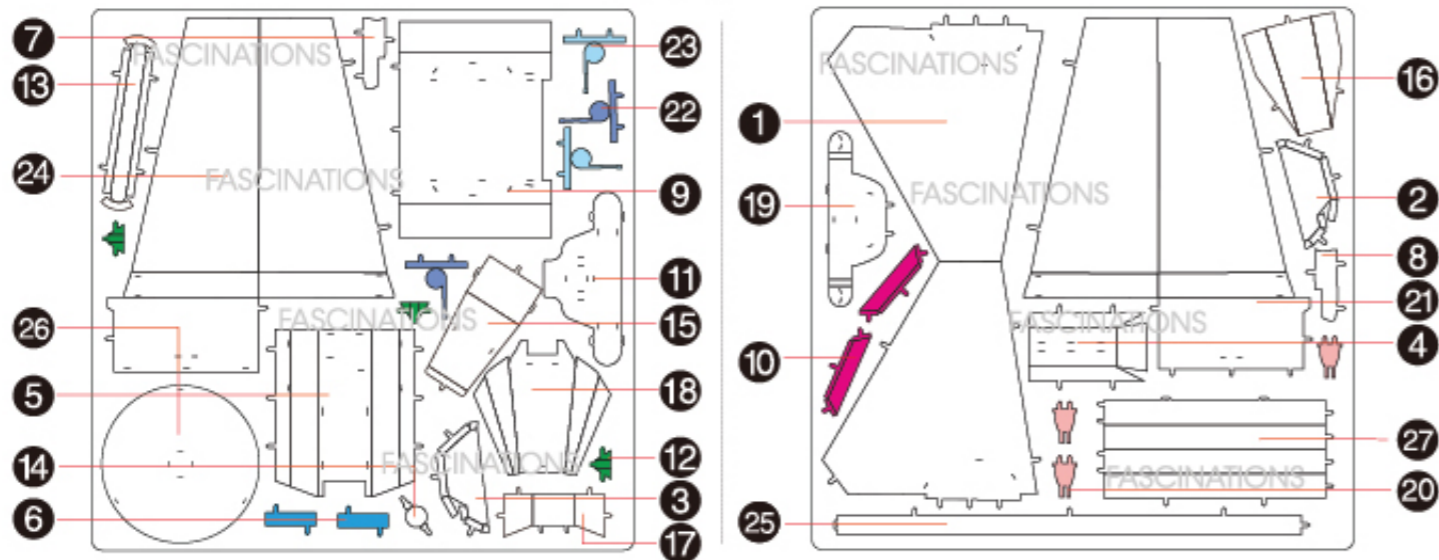
To create the best connections

- Insert tab and bend 90 degrees for most visible areas
- Insert tab and twist 90 degrees is best in some areas to ensure a tight connection

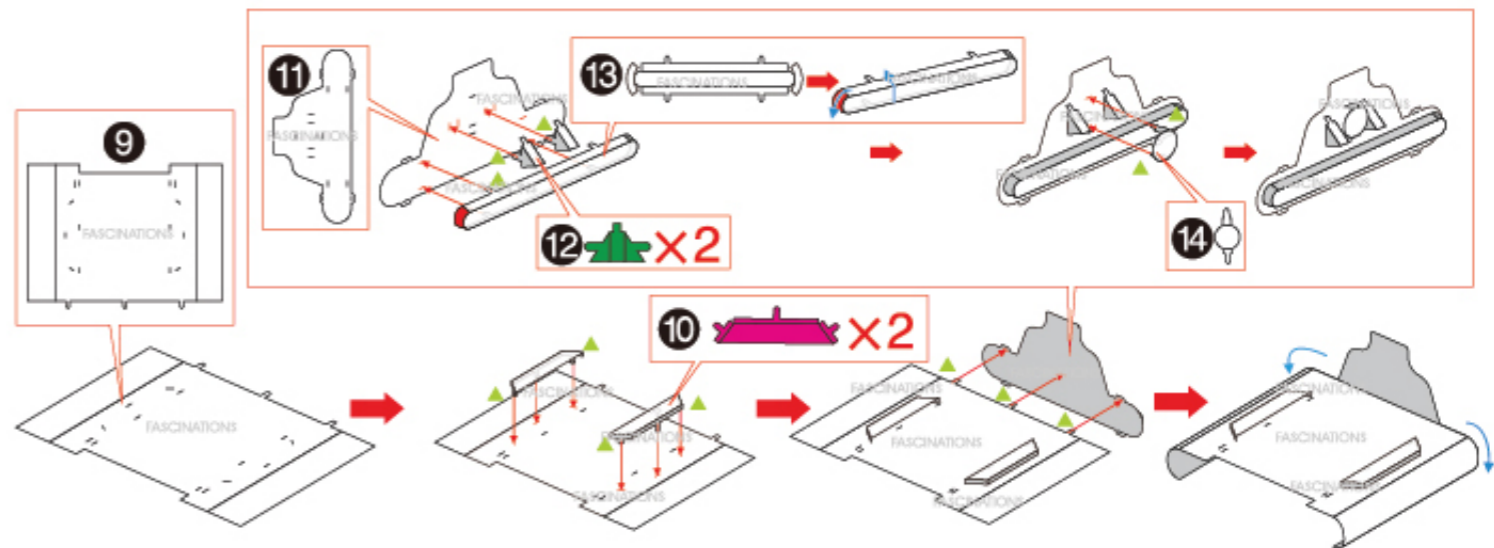
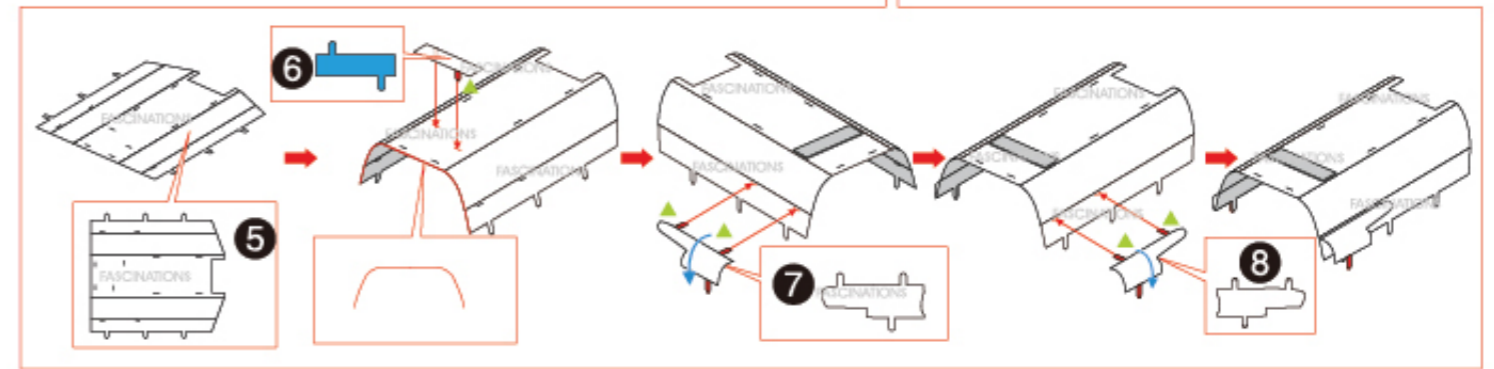
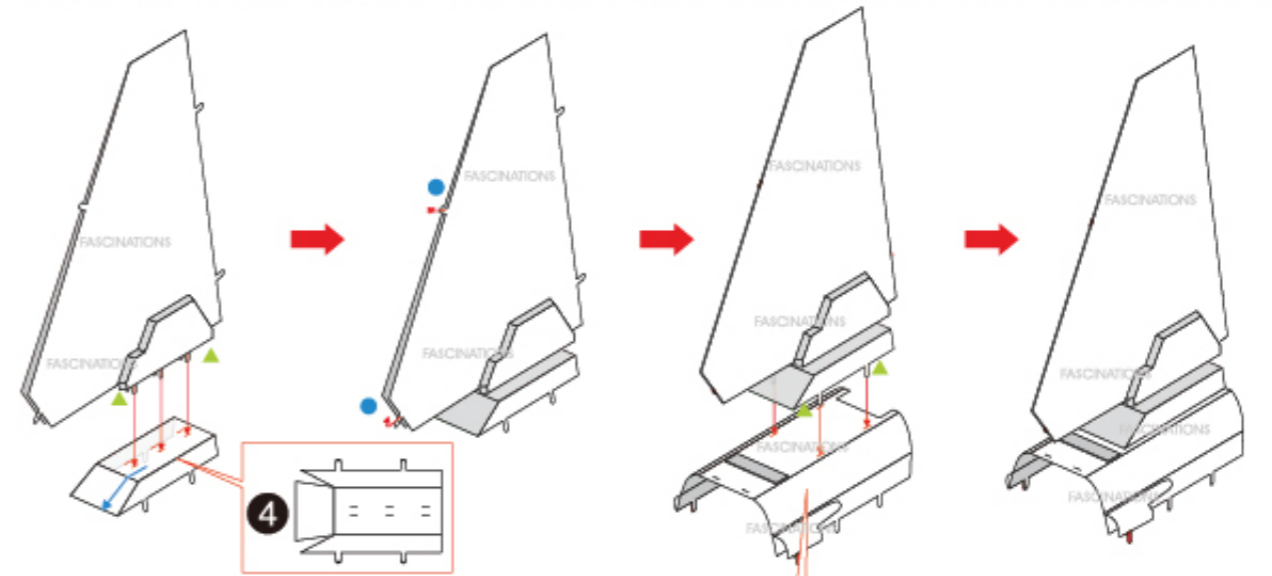
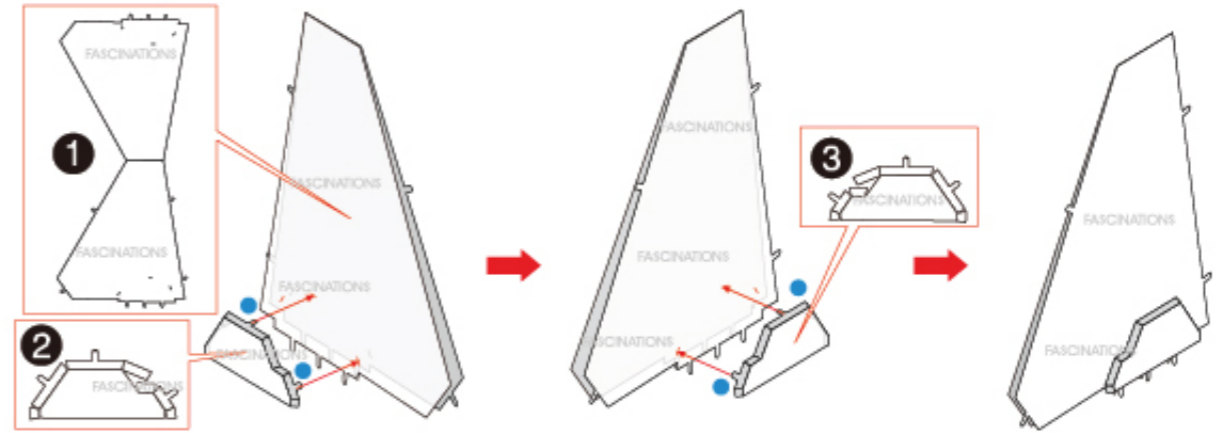


Pull and screw metal tab 90° to tighten

Metal sheets



Assembly Flow Chart



In order to avoid possible injury from sharp edges, please carefully discard the metal sheet after parts have been removed

