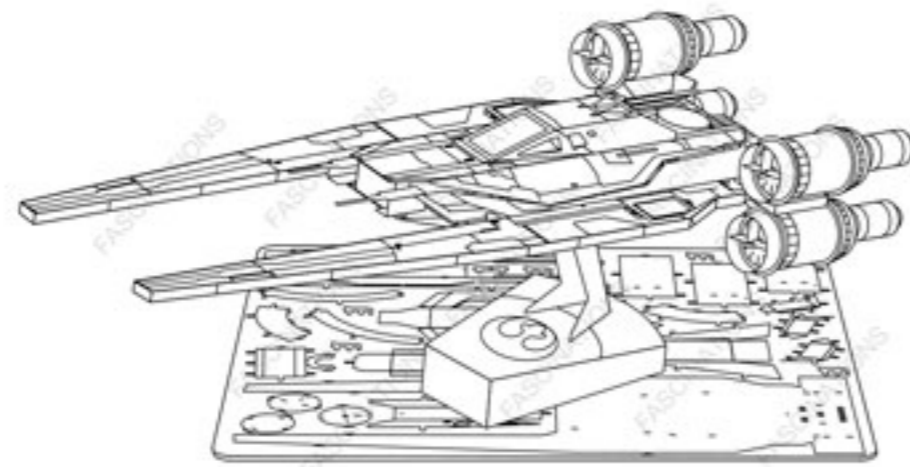




METAL EARTH[®]
3D METAL MODEL KITS



mms272

U-WING FIGHTER™

360°
view



It is highly recommended that you visit www.fascinations.com/metalearth360/mms272 to see the completed model before assembling your own

To create the best connections

- Insert tab and bend 90 degrees for most visible areas
- Insert tab and twist 90 degrees is best in some areas to ensure a tight connection

Needle nose pliers are helpful for assembly

Legends:

- Engraved side
- Non-engraved side
- Attention point

Pull and Screw metal tab 90° to tighten

Insertion holes Fold lines can be seen as shown here Insertion tabs are inserted and then folded

Metal sheets

In order to avoid possible injury from sharp edges, please carefully discard the metal sheet after parts have been removed

Assembly Flow Chart

1

2 X3

3 X6

4

5

6

7

8

9

10

