

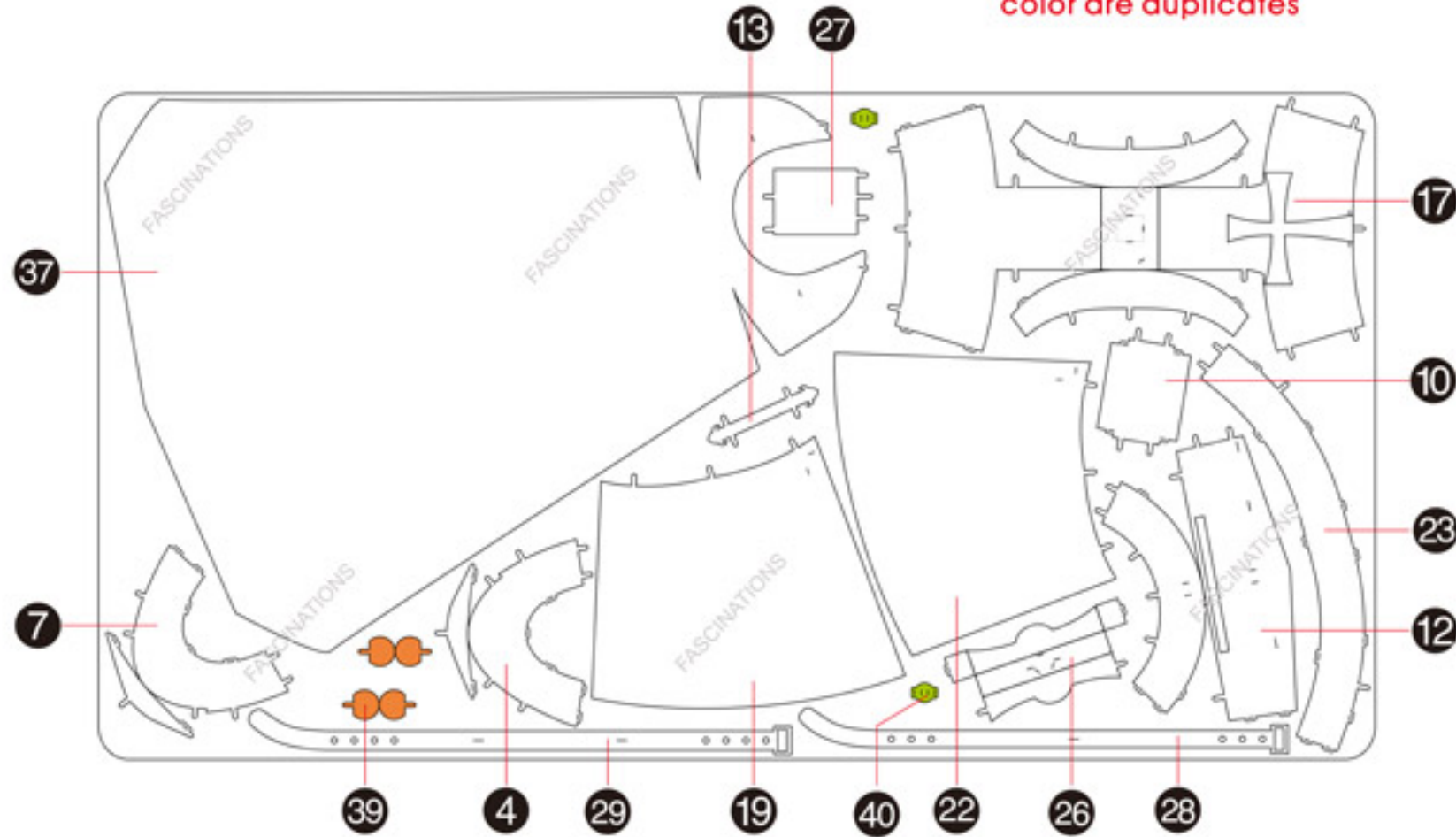


It is highly recommended that you visit www.metalearth.com/360/icx116 to see the completed model before assembling your own

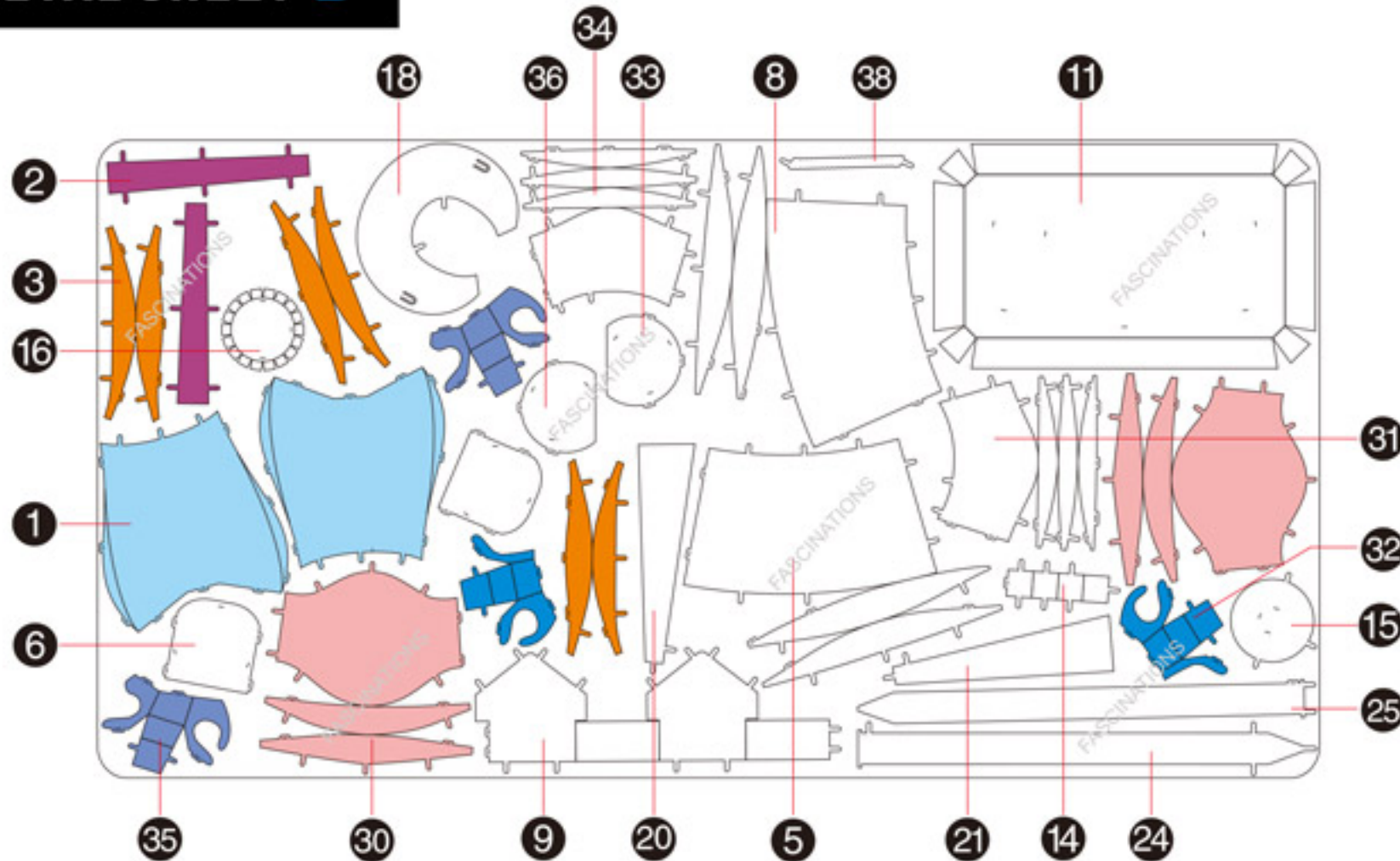
Go to www.metalearth.com/360/icx116 to see the zoomable PDF version of this instruction sheet

METAL SHEET A

Parts that are in the same color are duplicates



METAL SHEET B



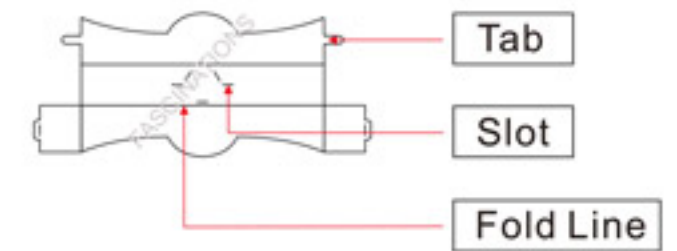
In order to avoid possible injury from sharp edges, please carefully discard the metal sheets after parts have been removed

ICX116

Templar Knight



TO CREATE THE BEST CONNECTIONS



Legends:

- Engraved/Color side
- Non-engraved/Silver side
- Attention point
- Insert tab and bend 90 degrees
- Insert tab and twist 90 degrees

Recommended tools:

-Wire cutters: helpful for taking parts from the metal sheets.



-Tweezers or needle nose pliers: helpful for folding parts, bending and twisting tabs.

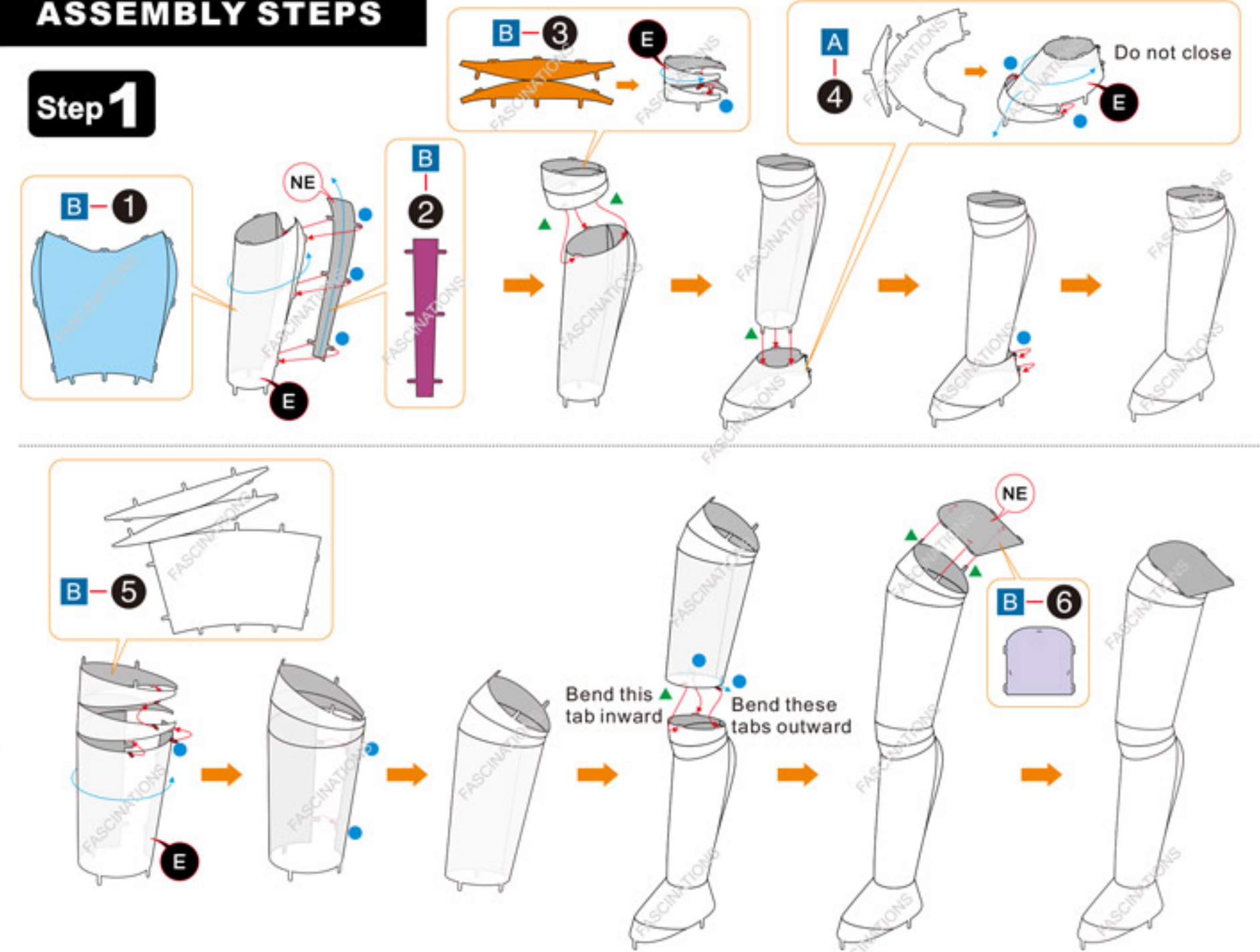


Assembly tip:

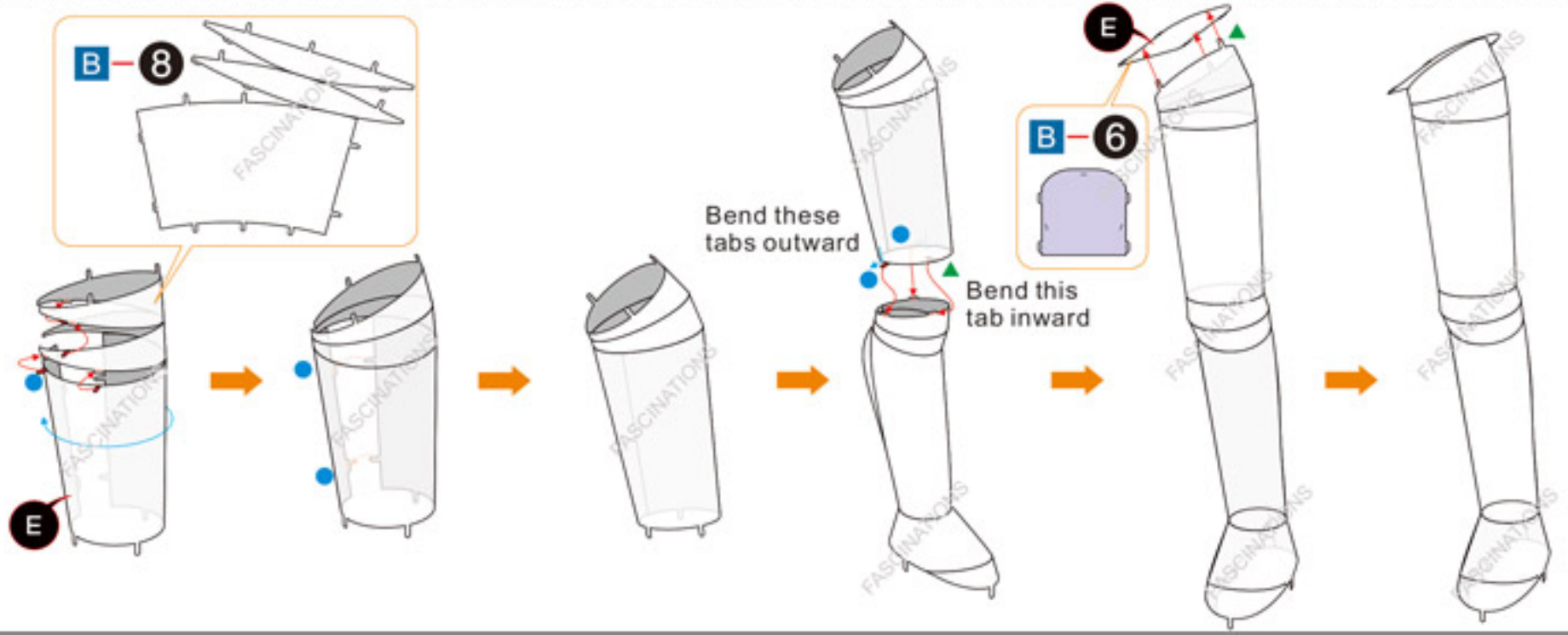
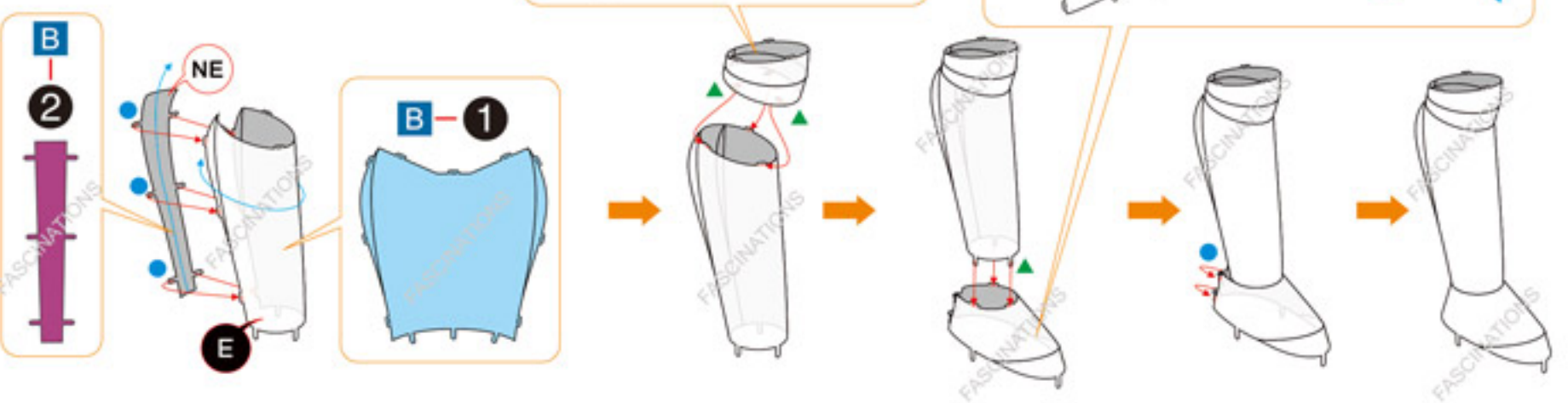
If needed, slightly twist tabs to hold parts together then untwist and bend them down for a nice finish

ASSEMBLY STEPS

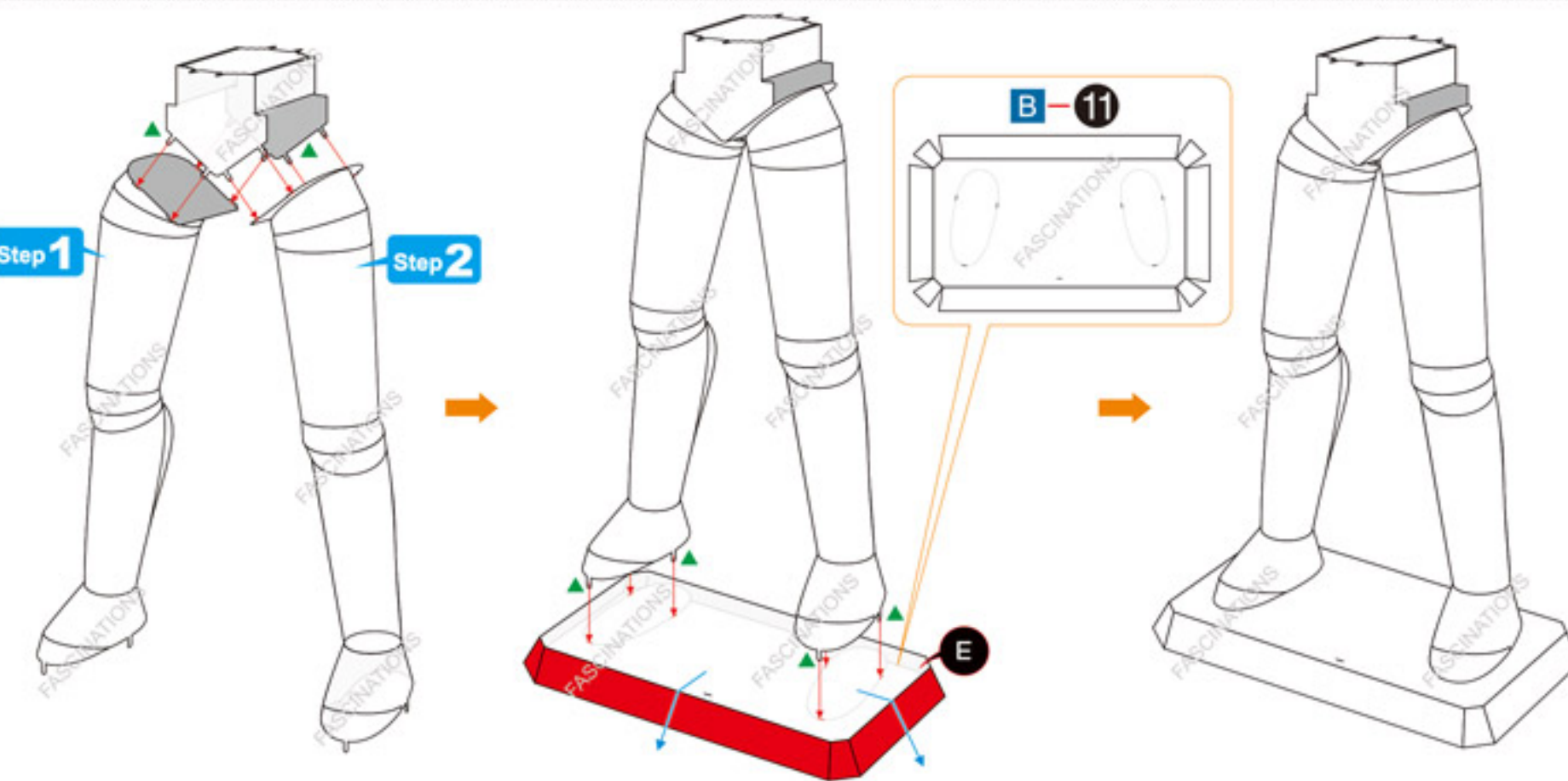
Step 1



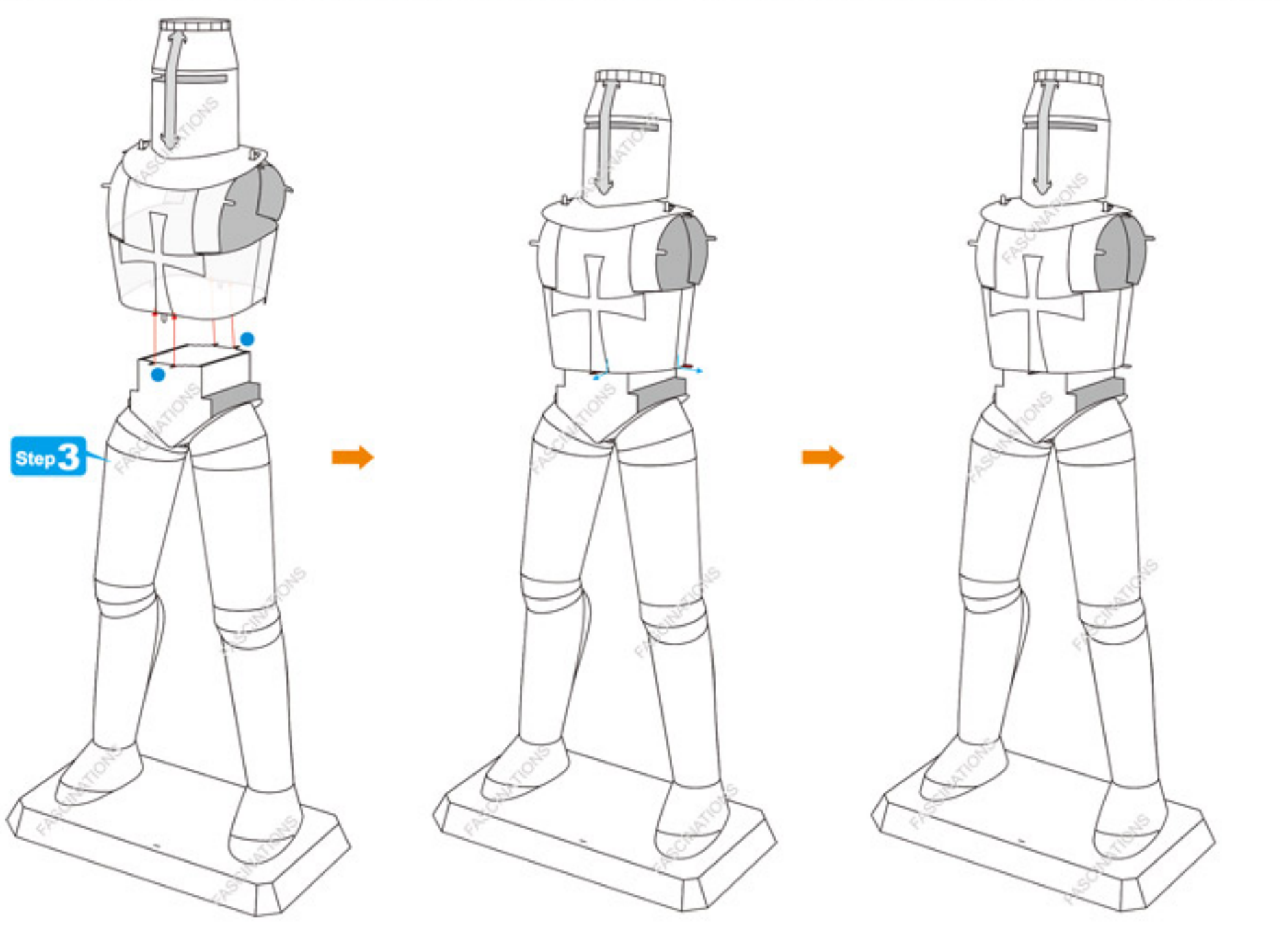
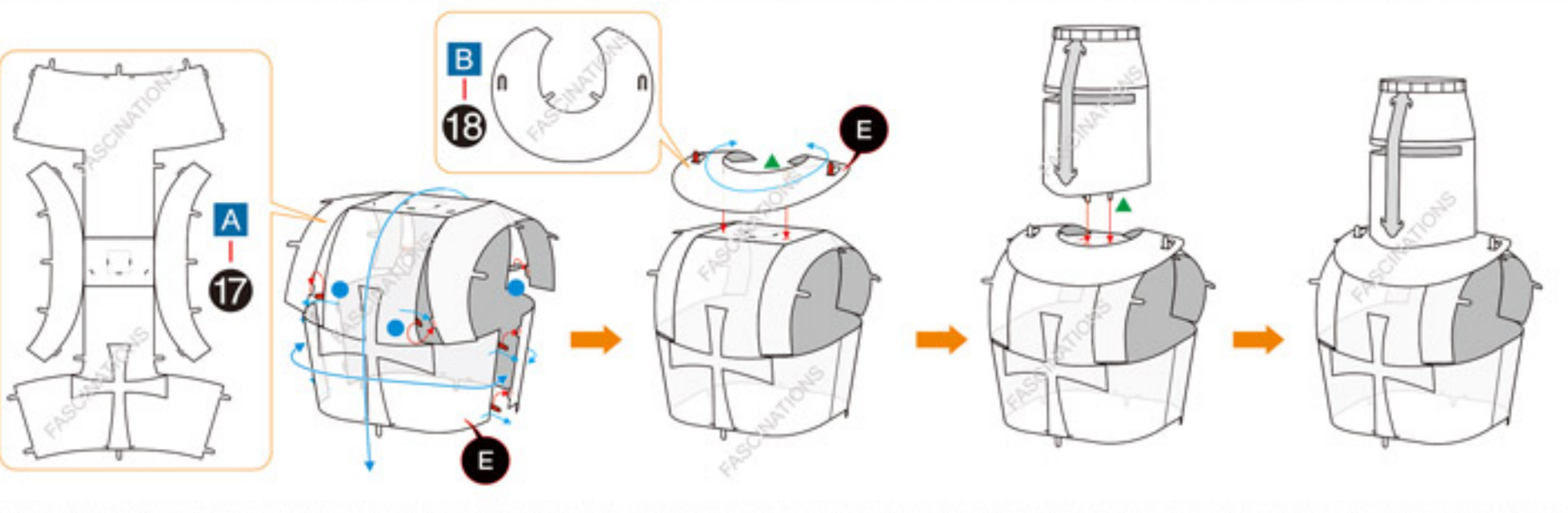
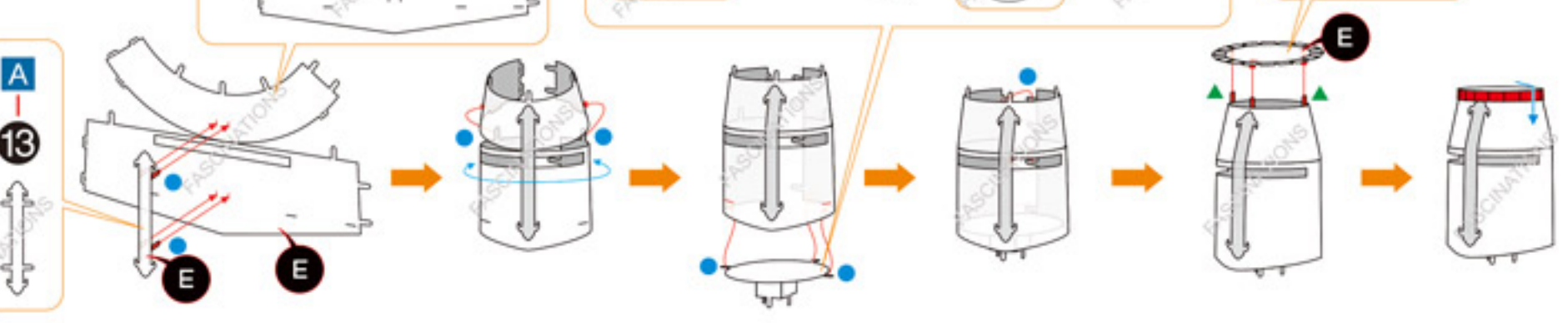
Step 2



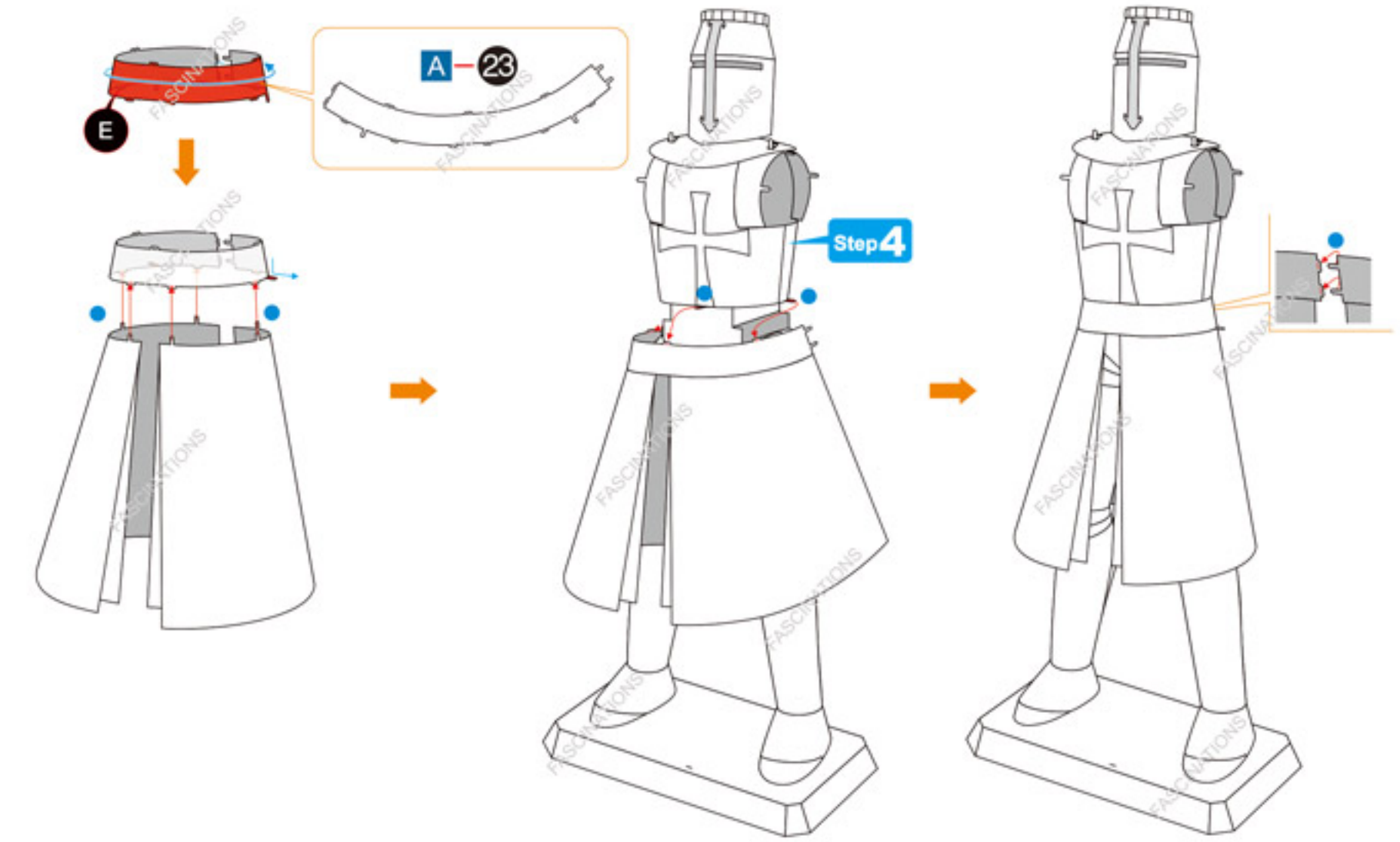
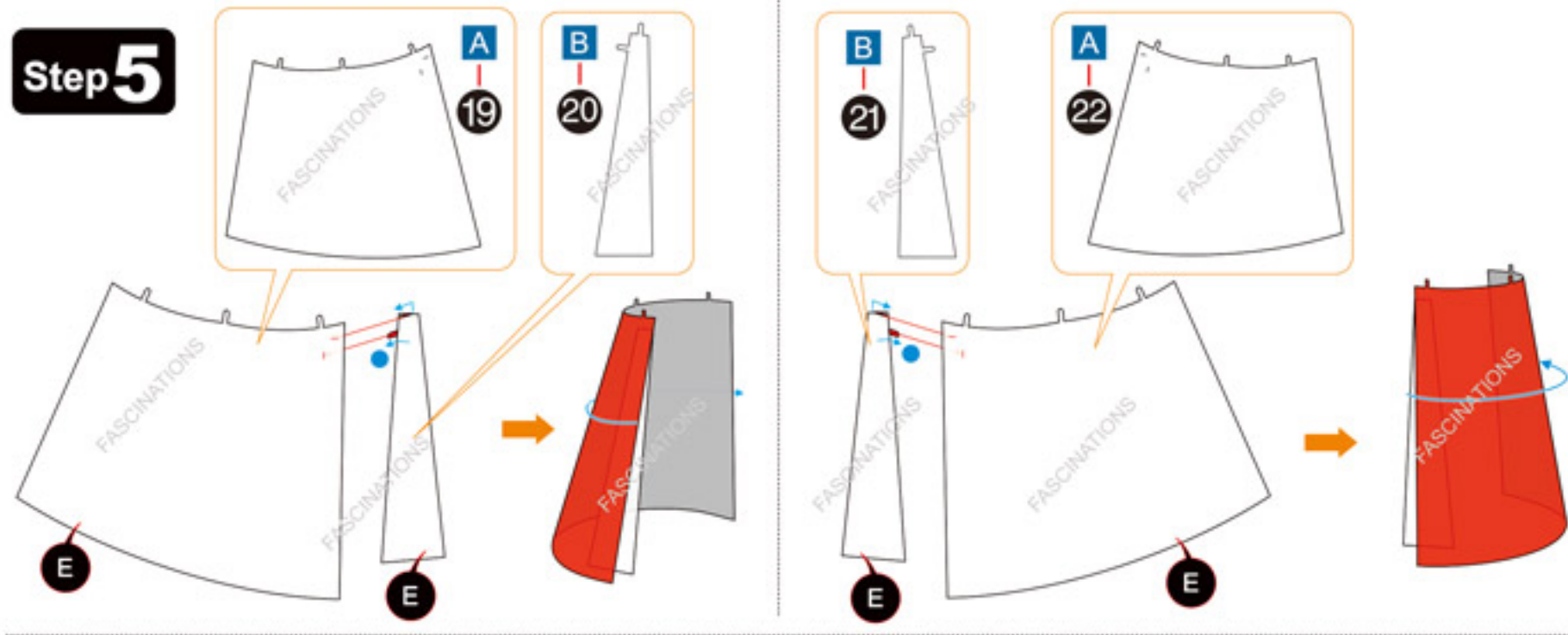
Step 3



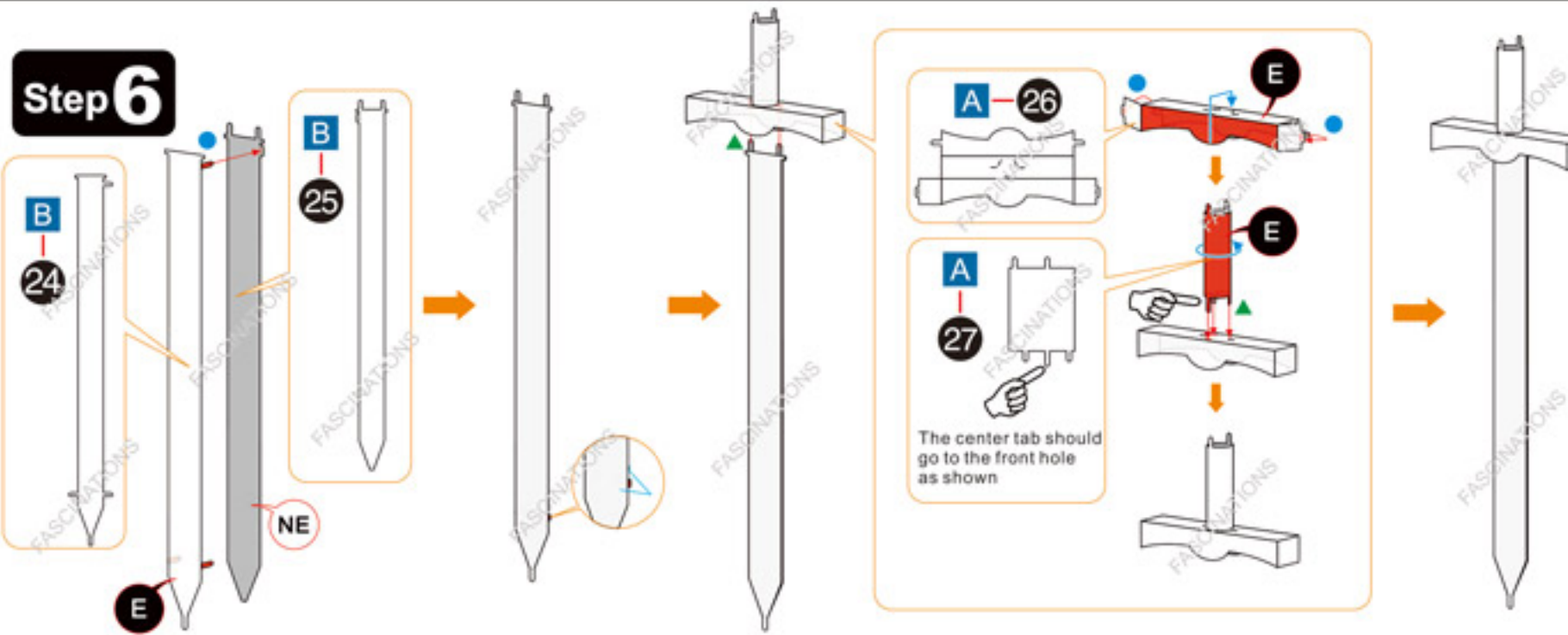
Step 4



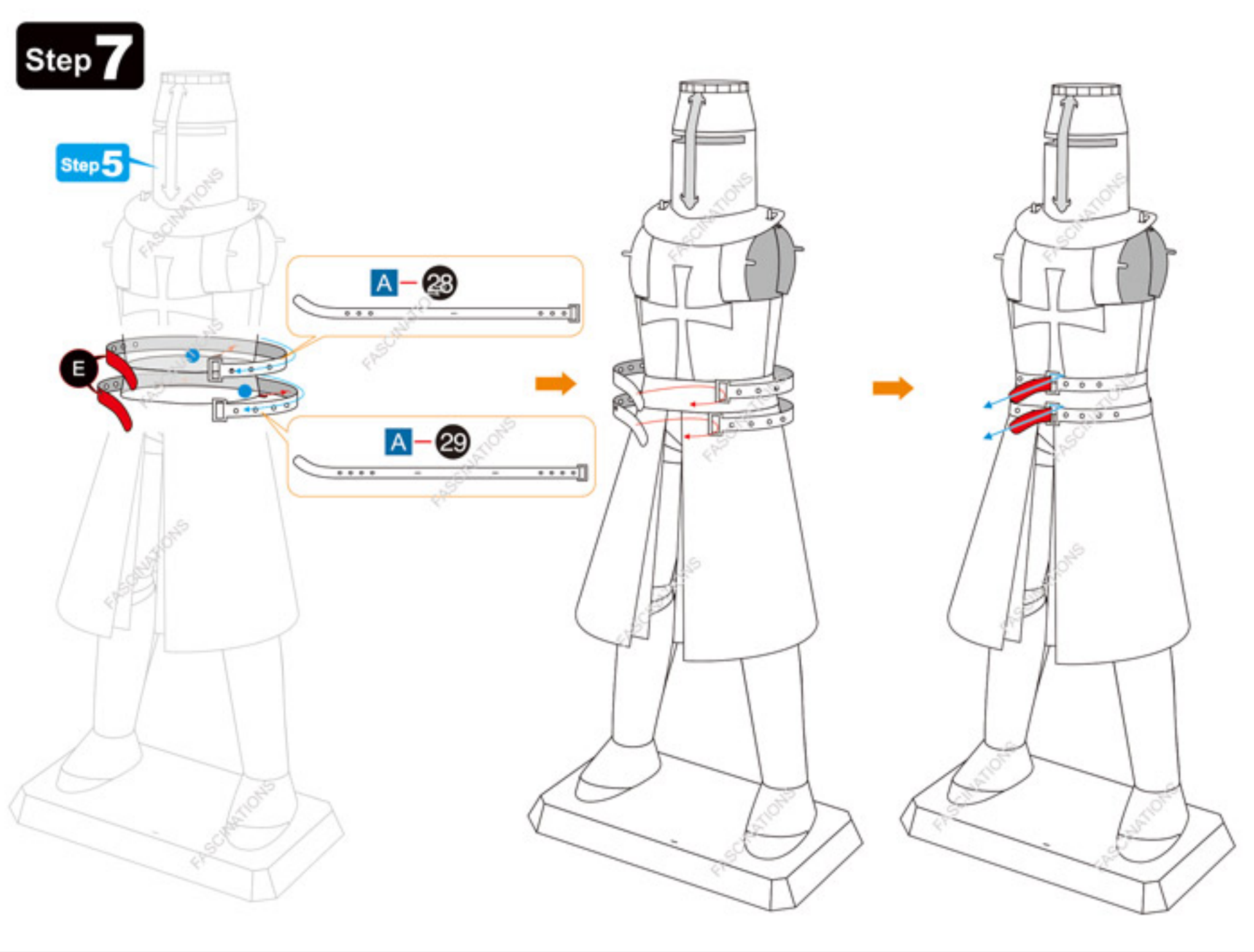
Step 5



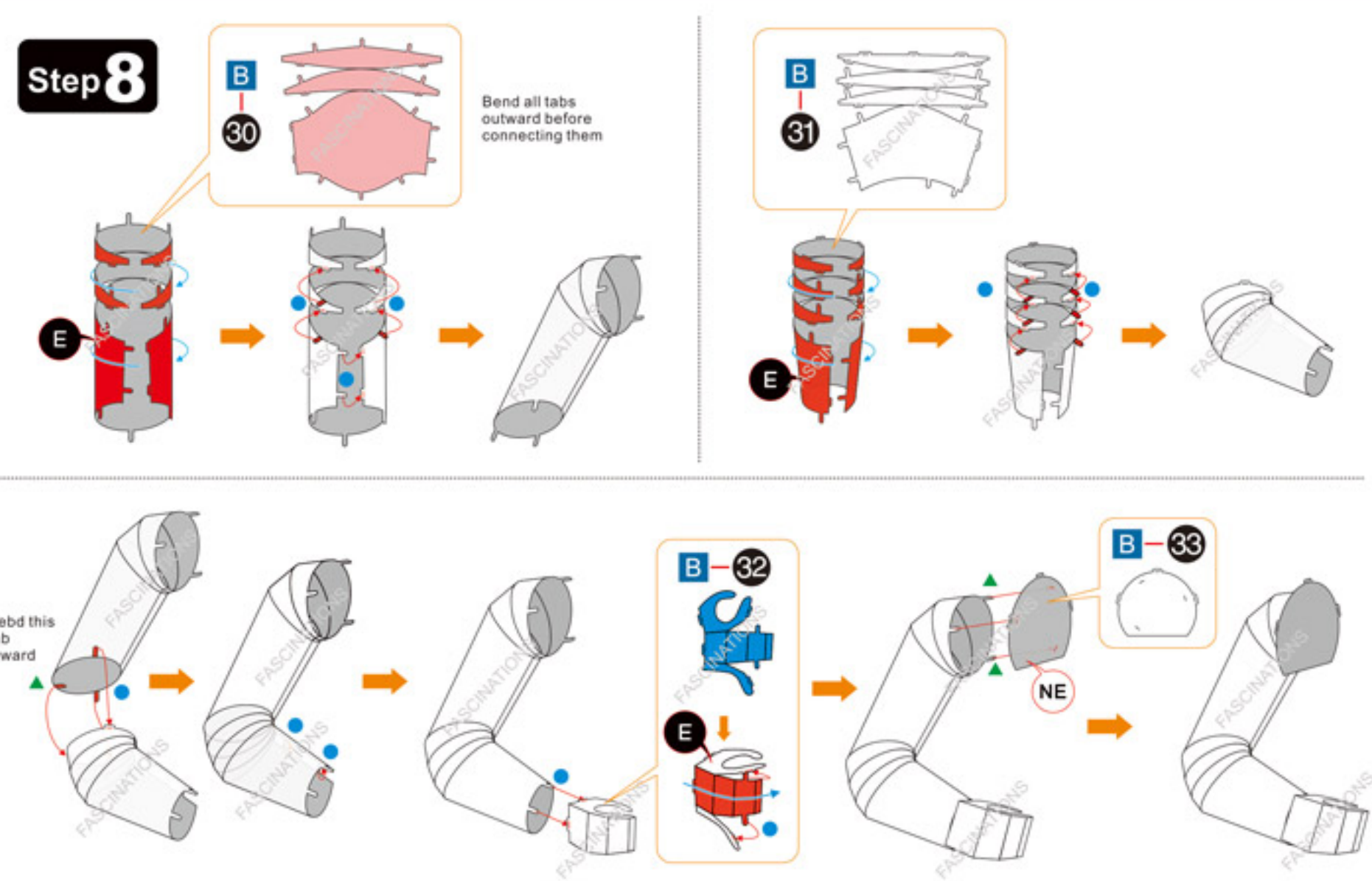
Step 6



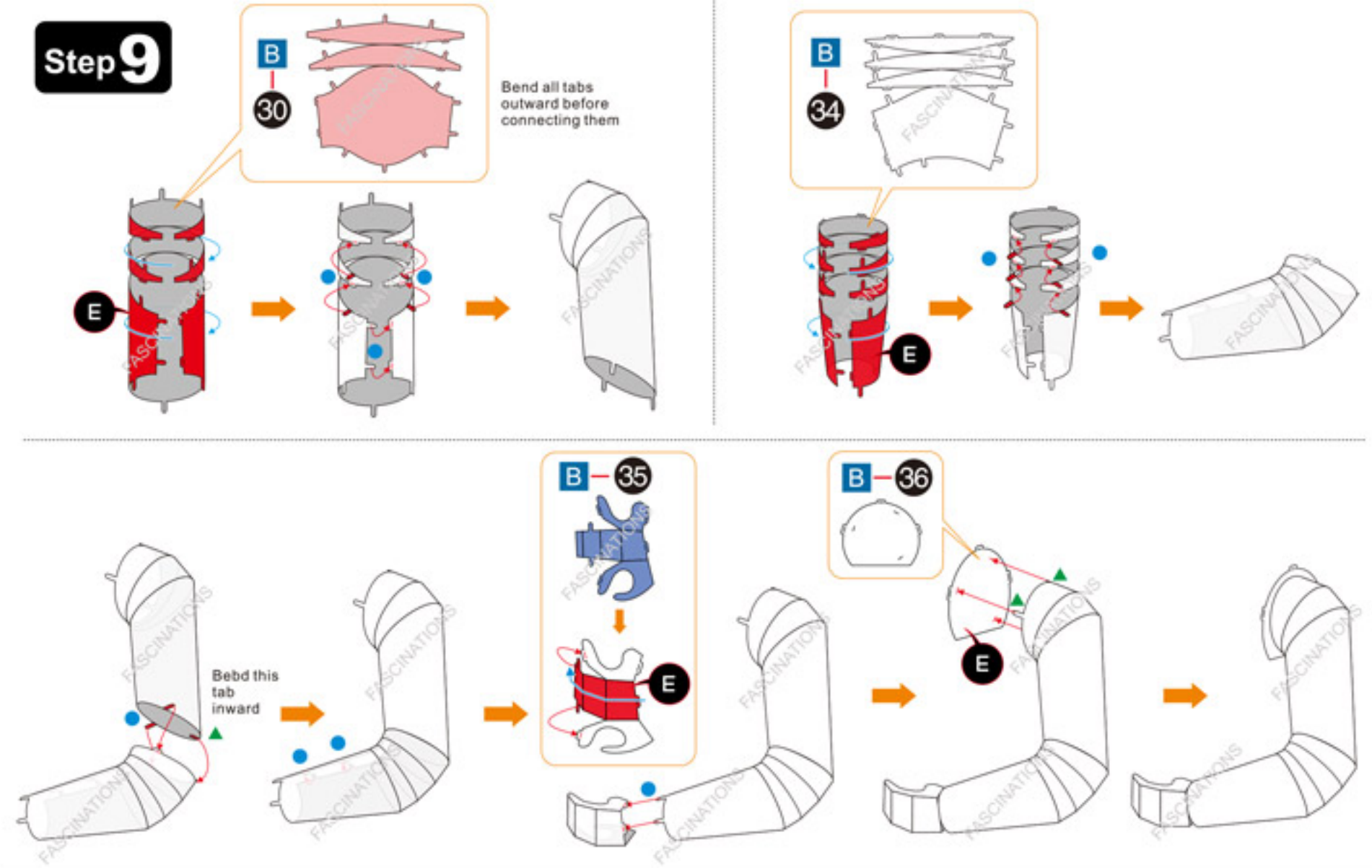
Step 7



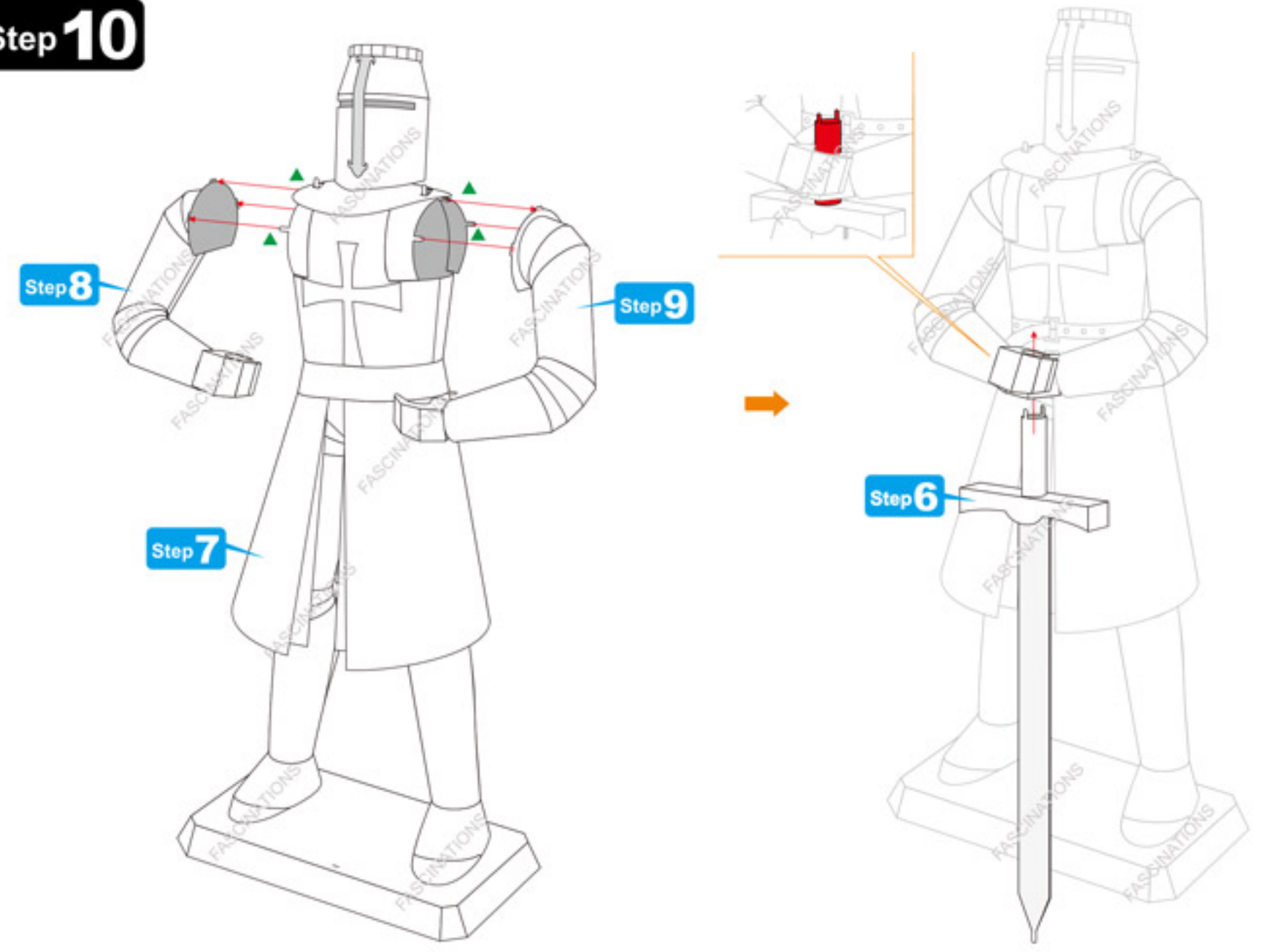
Step 8



Step 9



Step 10



Step 11

