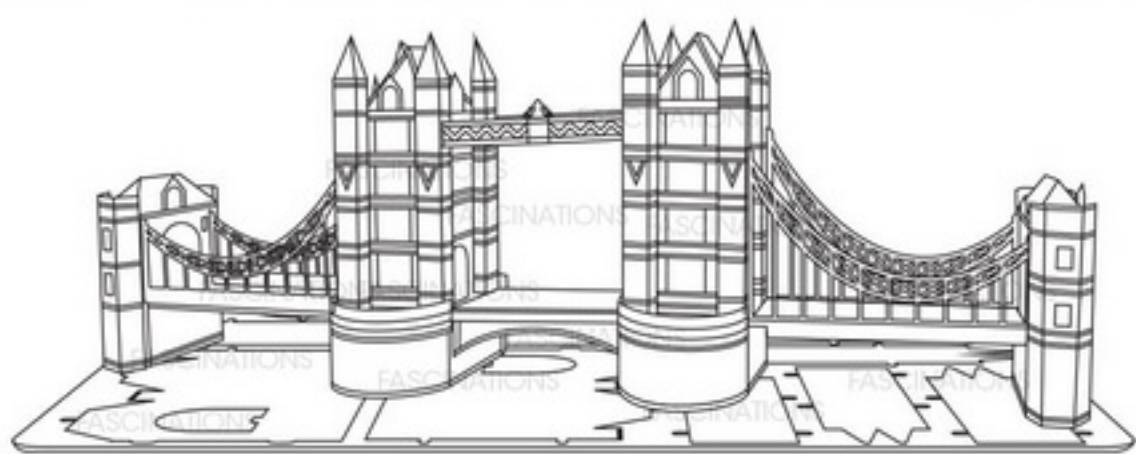


METAL EARTH™

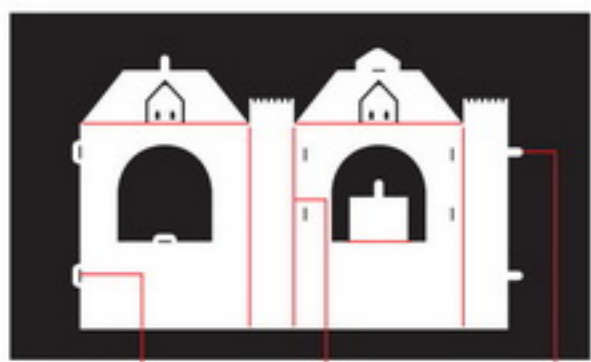
3D LASER CUT MODELS



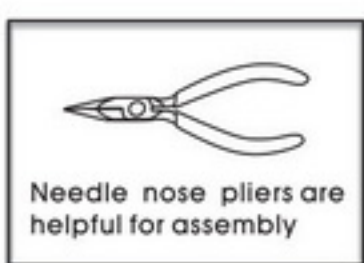
It is highly recommended that you visit www.fascinations.com/metalearth360/mms022 to see the completed model before assembling your own



mms022



Insertion holes
Fold lines can be seen as shown here
Insertion tabs are inserted and then folded

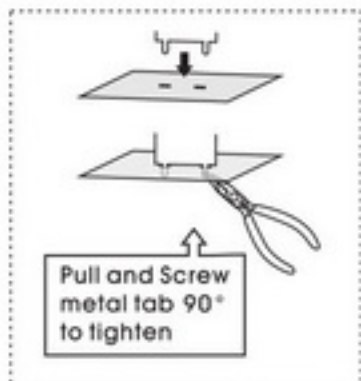


Needle nose pliers are helpful for assembly

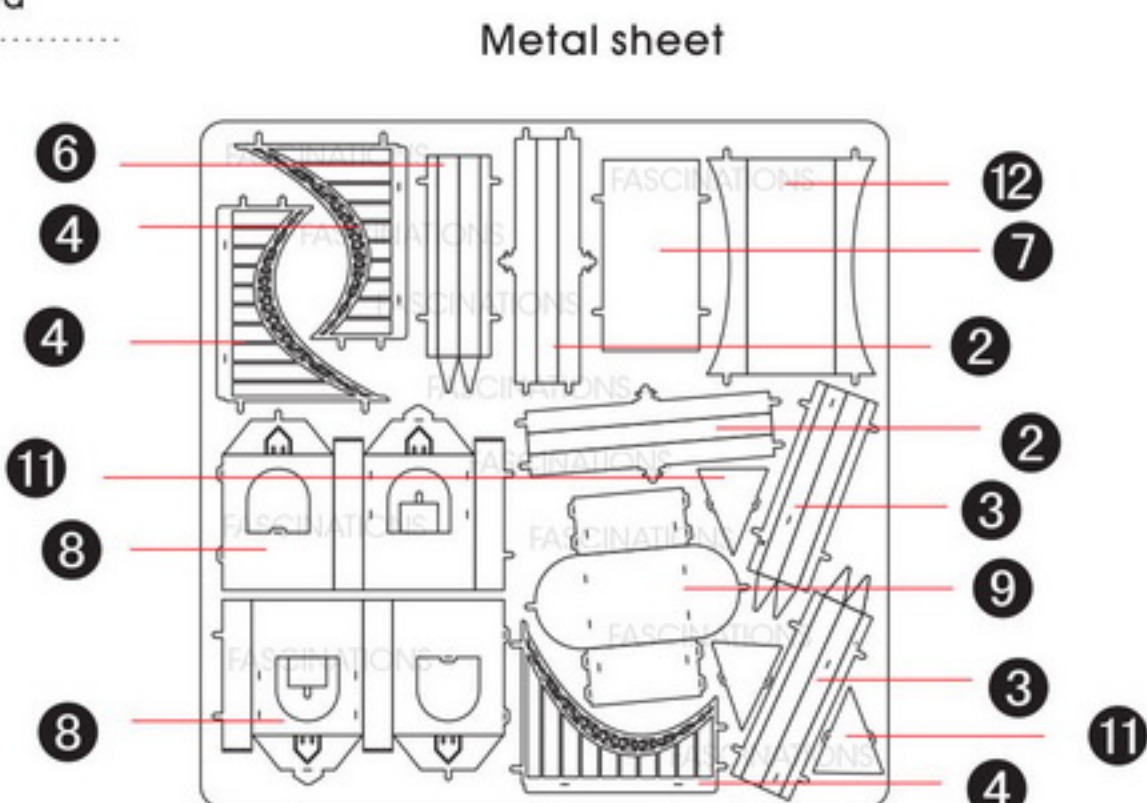
To create the best connections

Insert tab and bend 90 degrees for most visible areas

Insert tab and twist 90 degrees is best in some areas to ensure a tight connection



Pull and screw metal tab 90° to tighten



In order to avoid possible injury from sharp edges, please carefully discard the metal sheet after parts have been removed

