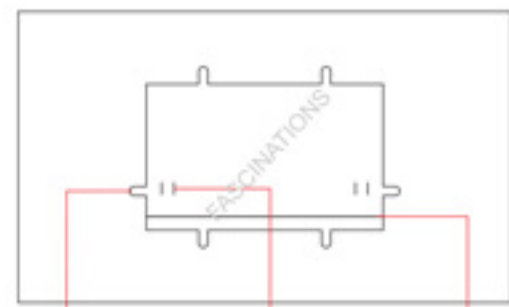


FOKKER DR.I TRIPLANE
MMS210



It is highly recommended that you visit www.metalearth.com/360/mms210 to see the completed model before assembling your own



Insertion tabs are inserted and then folded
Insertion holes
Fold lines can be seen as shown here

Legends:

- E** Engraved /Color side
- NE** Non-engraved /Silver side
- Attention point
- Insert tab and bend 90 degrees
- Insert tab and twist 90 degrees

Recommended tools:

-Wire cutters: helpful for taking parts from the metal sheets.



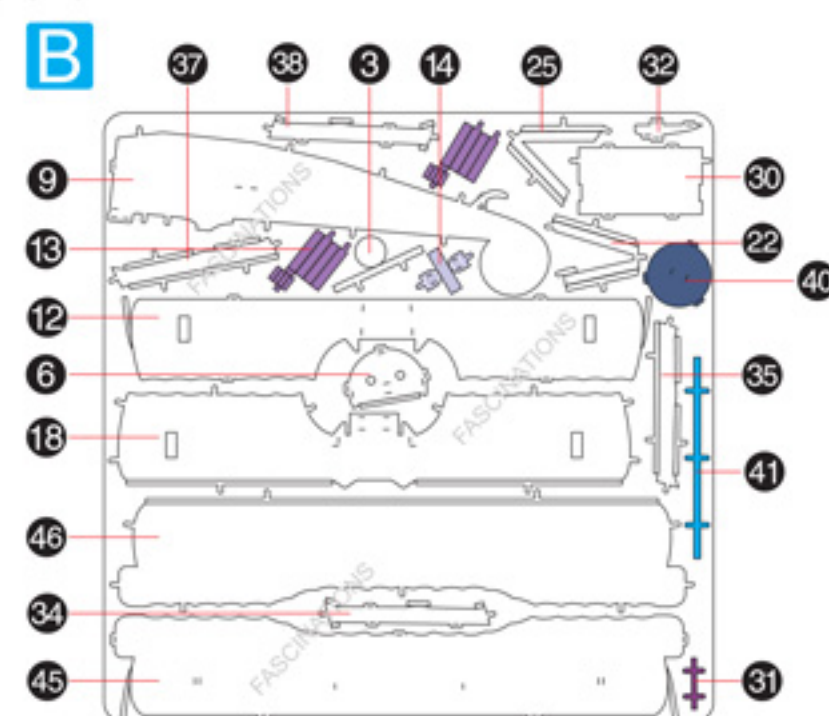
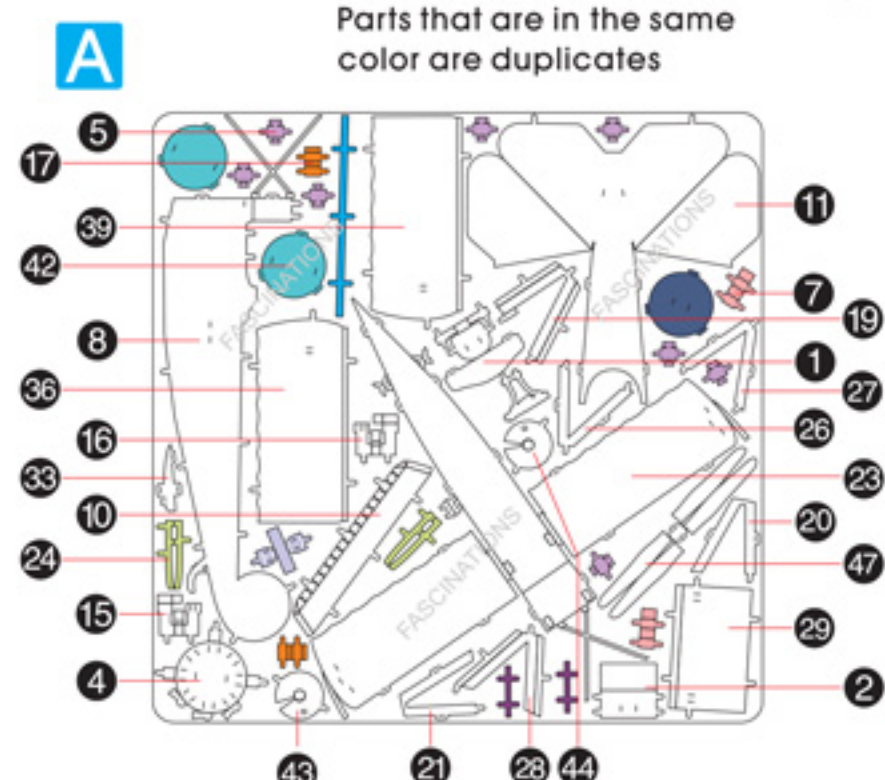
-Tweezers or needle nose pliers: helpful for folding parts, bending and twisting tabs.



Assembly tip:

If needed, slightly twist tabs to hold parts together then untwist and bend them down for a nice finish

Metal sheets



In order to avoid possible injury from sharp edges, please carefully discard the metal sheets after parts have been removed

Assembly Flow Chart

