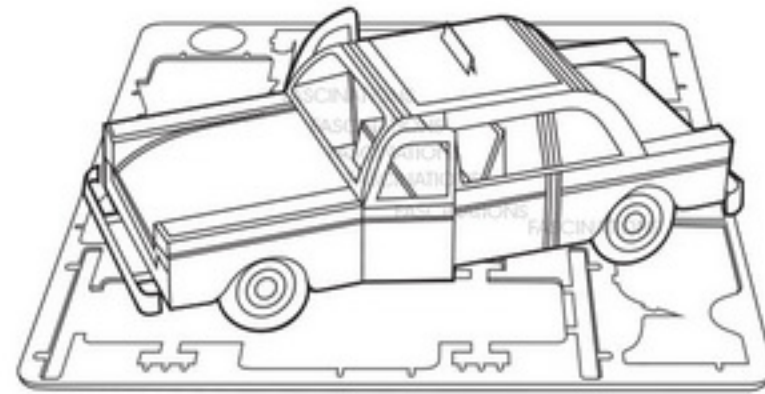


METAL EARTH™

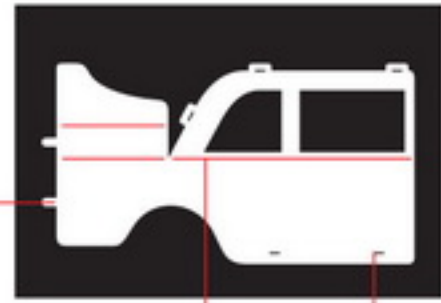
3D LASER CUT MODELS



It is highly recommended that you visit www.fascinations.com/metalearth360/mms007 to see the completed model before assembling your own



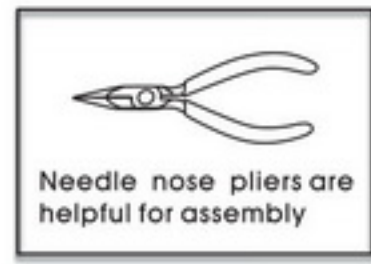
mms007



Insertion tabs are inserted and then folded

Fold lines can be seen as shown here

Insertion holes

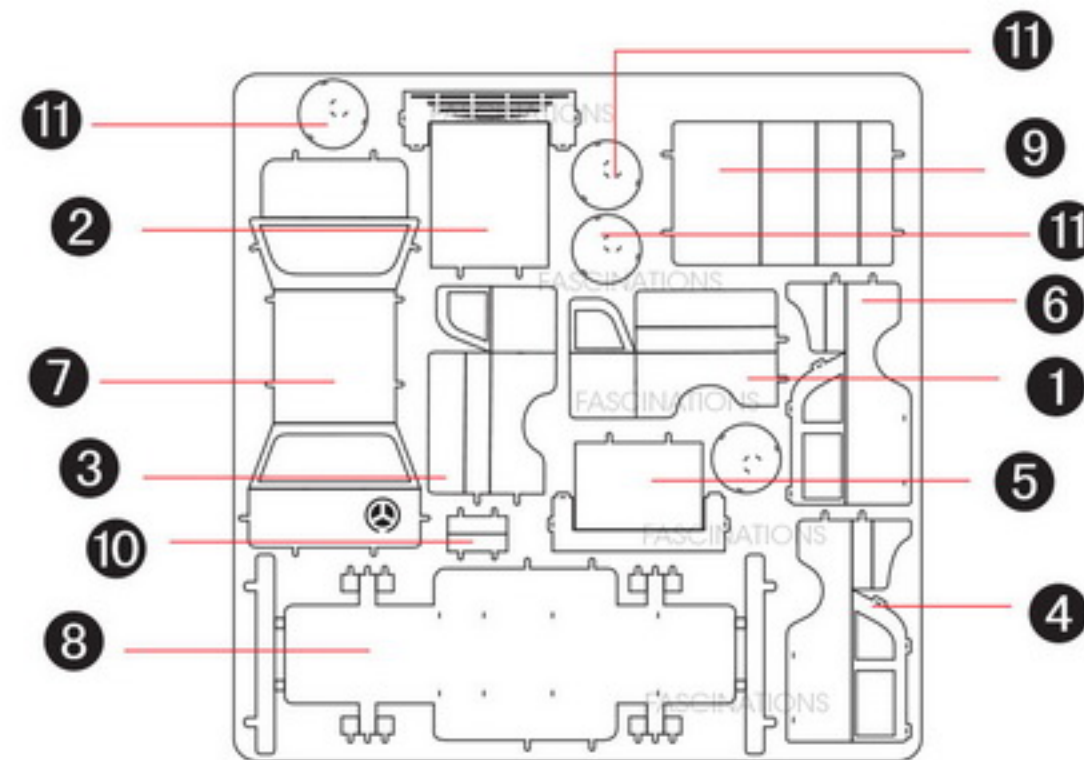
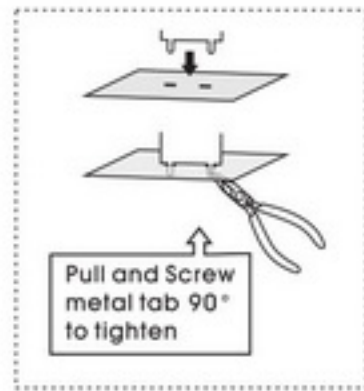


Metal sheet

To create the best connections

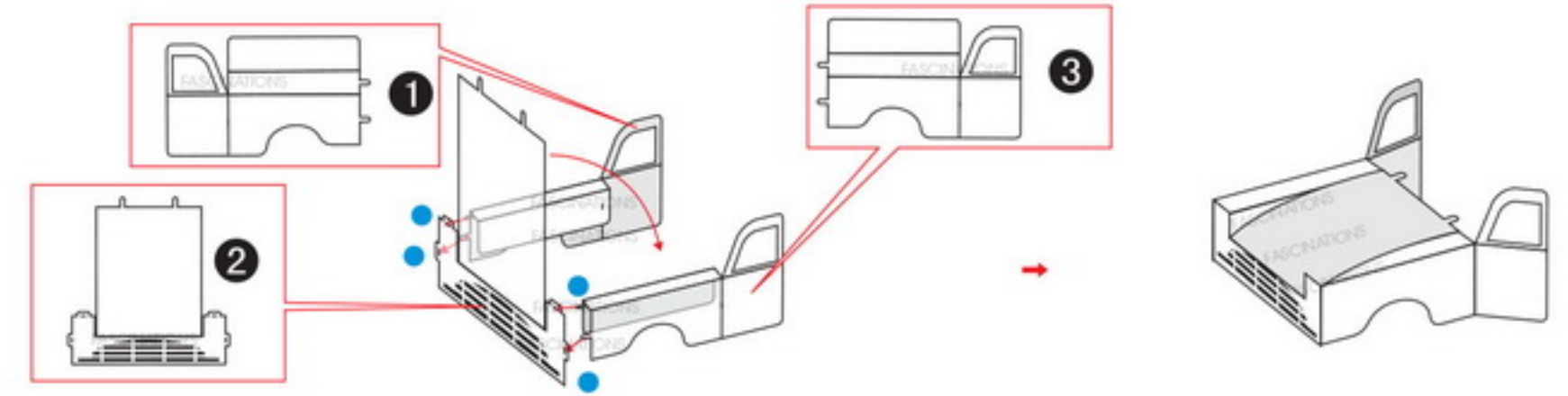
Insert tab and bend 90 degrees for most visible areas

Insert tab and twist 90 degrees is best in some areas to ensure a tight connection



In order to avoid possible injury from sharp edges, please carefully discard the metal sheet after parts have been removed

Assembly Flow Chart



What to Know Before Starting

